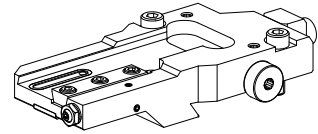


Grooving tool and stop holder MS32/MS40

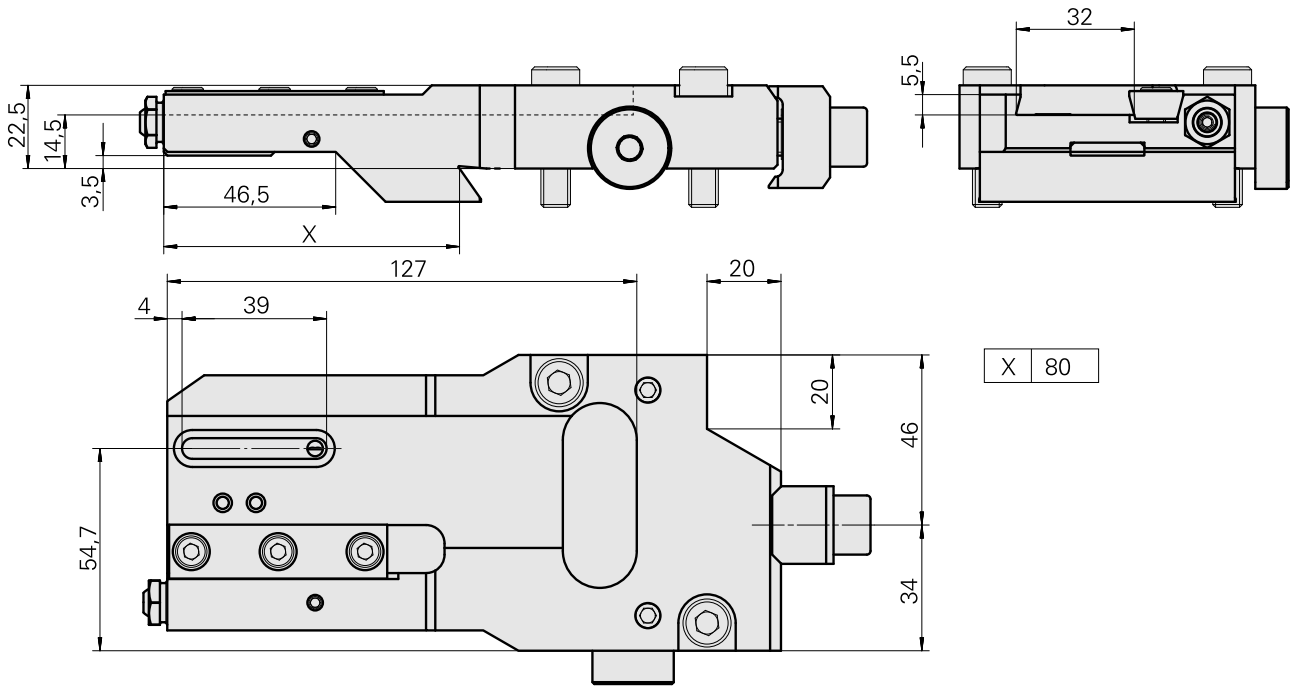
Technical data

Slide system MS	MS32/MS40
Drive	not live
Fixation MS	Dovetail
Cooling	external and internal
Pressure	80 bar
Direction	right-handed run
Mounting	Trapezoid 32x8
X [mm]	80 (3.15")
Y [mm]	–
Z [mm]	14.5 (0.57)
INDEX TRAUB products	MS40-8



Note

Can be used only in position 7.1!



Documents

No downloads available for this product

Accessories

Required for operation

[Bush 4x8x12](#)

Product ID : 10831938

Previous product ID : W02010.0002

[Hollow screw M12x1](#)

Product ID : 10757766

Previous product ID : W02013.0001

[Ball nozzle D8xM5](#)

Product ID : 10392450

Previous product ID : W02019.0002

[Stop plate](#)

Product ID : 10217059

Previous product ID : W00019.0064

Optional accessories

Other accessories

[Countersunk screw M 4x 8/T20 verzinkt 402314 8](#)

Product ID : 10586100

Previous product ID : 410362.0408
