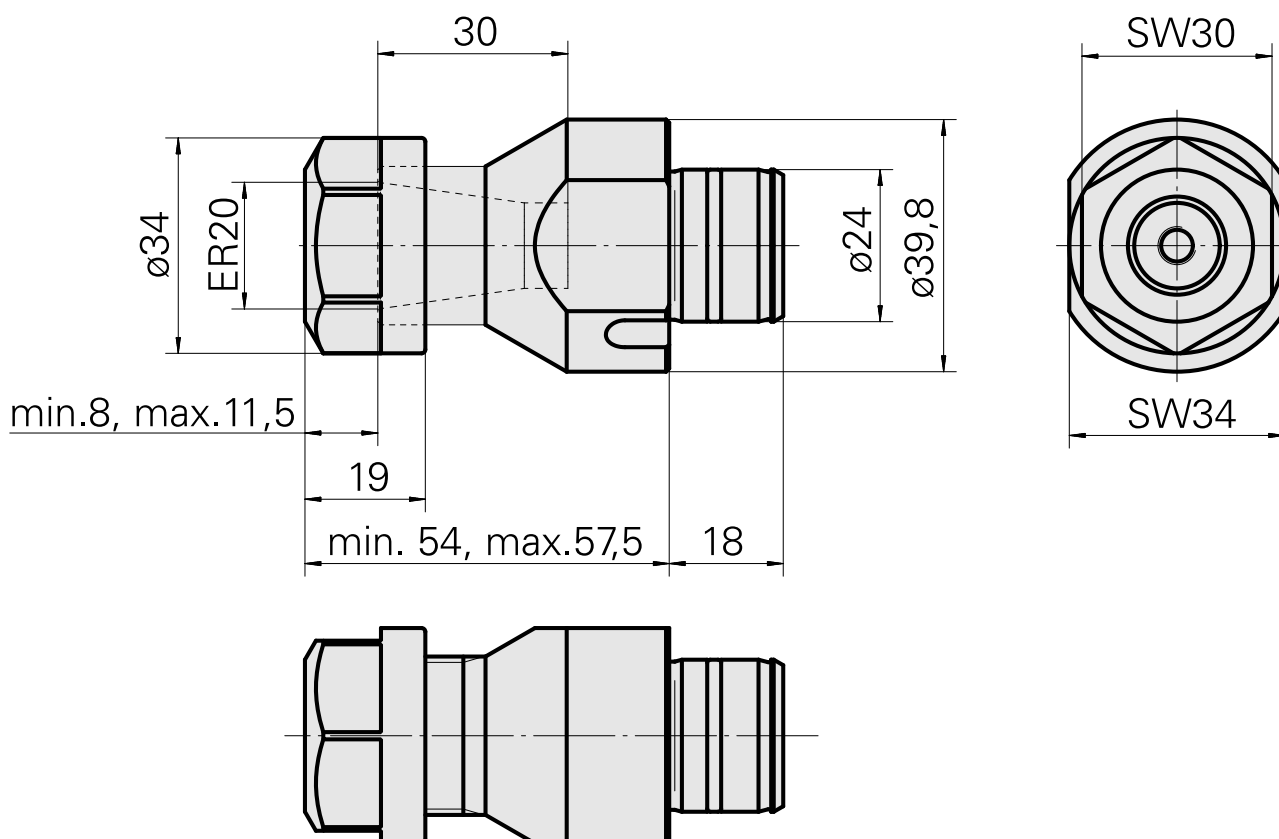
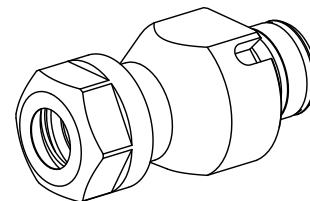


## Attacco ER20

### Technical data

<b>Azionamento</b>	non azionato
<b>Raffreddamento</b>	interno
<b>Attacco</b>	ER20
<b>Pressione</b>	80 bar
<b>X [mm]</b>	54
<b>Y [mm]</b>	-
<b>Z [mm]</b>	-
<b>Prodotti INDEX TRAUB</b>	ABC65 • TNK42/65 • TNL18 • TNL20 • TNL32-11 • TNL32 • TNL32-11 compact • TNL20-11 • TNL32 compact • TNK40.2-10 • TNL20.2 • TNK40.2



---

## Documents

No downloads available for this product

## Accessories

Required for operation

### [Chiave](#)

Product ID : 10603529

Previous product ID : 490219.0201

TH accessories category Tool	Mounting ER20	Collet type ER 20	Clamping nut type Female thread
Tools for Collet chucks Clamping nut wrench			

### Optional accessories

#### Tool holder accessories

### [Clamping nut](#)

Product ID : 10137535

Previous product ID : 901939.0201

TH accessories category Clamping nut	Mounting ER20	Collet type ER 20	Clamping nut type Female thread
---	------------------	----------------------	------------------------------------

#### Other accessories

### [Clamping collet](#)

Product ID : 10863981

Previous product ID : 901930.2---

---

### [tapping tool collet ET-1-20](#)

Product ID : 10418139

Previous product ID : 3234--

---

11056269  
W9990541

**INDEX**

---

Collet chuck

Product ID : 10135002  
Previous product ID : W999066-

---

Clamping collet, sealed

Product ID : 10919110  
Previous product ID : W999084-

---