

## WFB 32-20 D16

### Technical data

TH accessories category

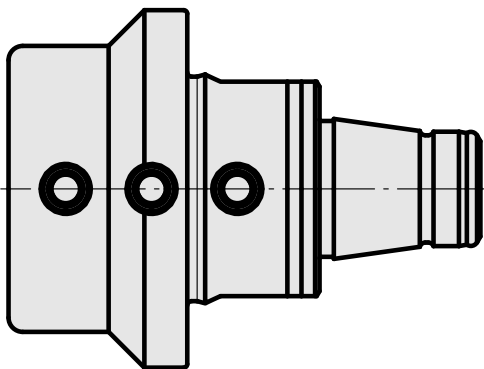
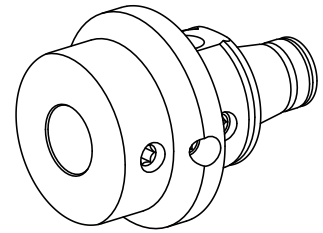
WFB 32-20

Mounting

D16

Quick change inserts

Weldon mounting



## Documents

No downloads available for this product

## Accessories

Optional accessories

### Other accessories

#### [Mounting sleeve D16](#)

Product ID : 10623464

Previous product ID : WS7800.43--

---

#### [Mounting sleeve with collar D16](#)

Product ID : 10914323

Previous product ID : W67511.04--

---

#### [Clamping sleeve D16](#)

Product ID : 10981161

Previous product ID : W95280.215-

---