

Centering drill, 60° D11.7 mm (0.46") with center for hollow parts

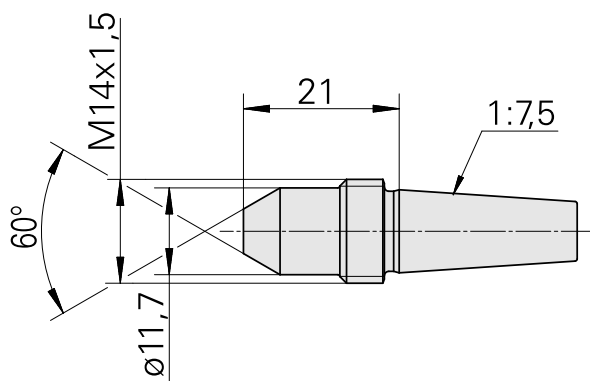
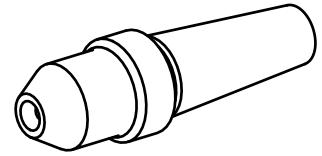
Technical data

TH accessories category

Center, universal

Mounting

D11.2/Cone 1:7.5



Documents

No downloads available for this product

Accessories

Optional accessories

Tool holder accessories

[Ring nut M 14x1,5 4H](#)

Product ID : 11061020

Previous product ID : 415302.1415
