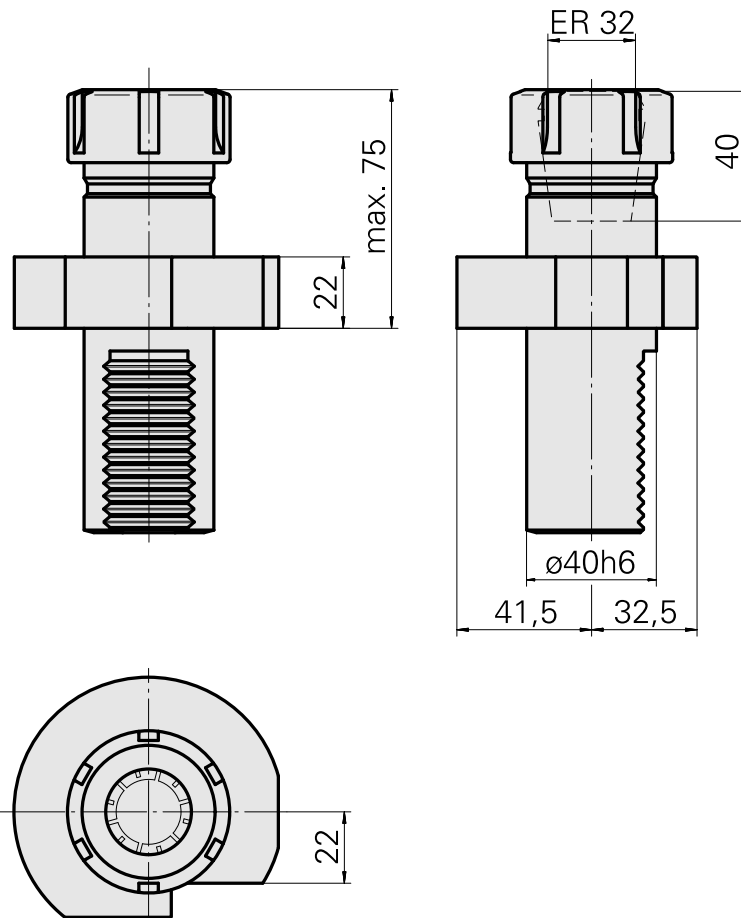


## 钻头刀架 **VDI 40 ER32, E4型**

### Technical data

刀柄 <b>VDI</b>	VDI 40
驱动装置	非动力式
固定装置 <b>VDI</b>	无
冷却	内冷
压力	40 bar
夹具	ER32
可翻转 <b>180°</b>	否
<b>X [mm]</b>	85
<b>Y [mm]</b>	—
<b>Z [mm]</b>	—
<b>INDEX TRAUB</b> 产品	V200 · V160C · V160G · V300 · TNA400 · B400 · B500 · TNA500.2 · TNA400.2 · TNA400.3 · B400.3 · B500.3 · TNA500.3



---

## Documents

No downloads available for this product

## Accessories

Required for operation

### [Spanner](#)

Product ID : 10181051

Previous product ID : 490219.0321

TH accessories category Tool	Mounting ER32	Collet type ER 32	Clamping nut type Female thread
Tools for Collet chucks Clamping nut wrench			

## Optional accessories

### Tool holder accessories

### [Clamping nut](#)

Product ID : 10117729

Previous product ID : 901939.0321

TH accessories category Clamping nut	Mounting ER32	Collet type ER 32	Clamping nut type Female thread
---	------------------	----------------------	------------------------------------

### Other accessories

### [Clamping collet](#)

Product ID : 10187712

Previous product ID : 901930.6---

---

### [tapping tool collet ET-1-32](#)

Product ID : 10640099

Previous product ID : 3242--

---

11005033  
W1400052

**INDEX**

---

[tapping tool collet](#)

Product ID : 10601144  
Previous product ID : WZ9990.9509F

---

[Collet chuck](#)

Product ID : 10659178  
Previous product ID : W999068-

---