

## WFB 20-12 Albero portafrese D13, con vite di serraggio fresa

### Technical data

Categoria acces. portautensile

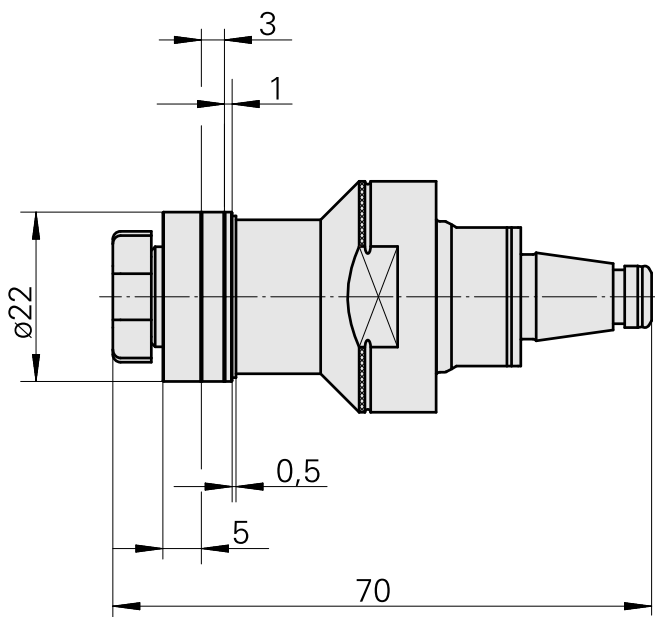
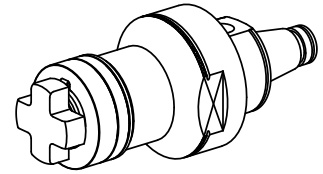
WFB 20-12

Attacco

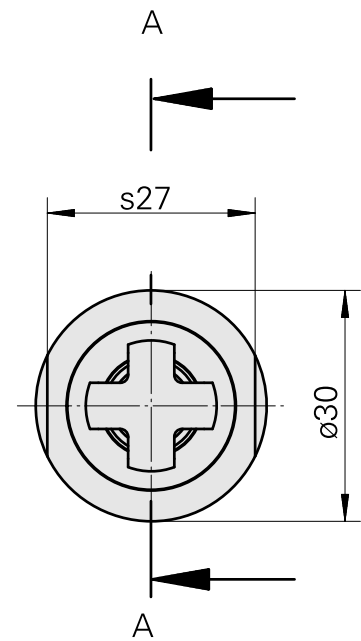
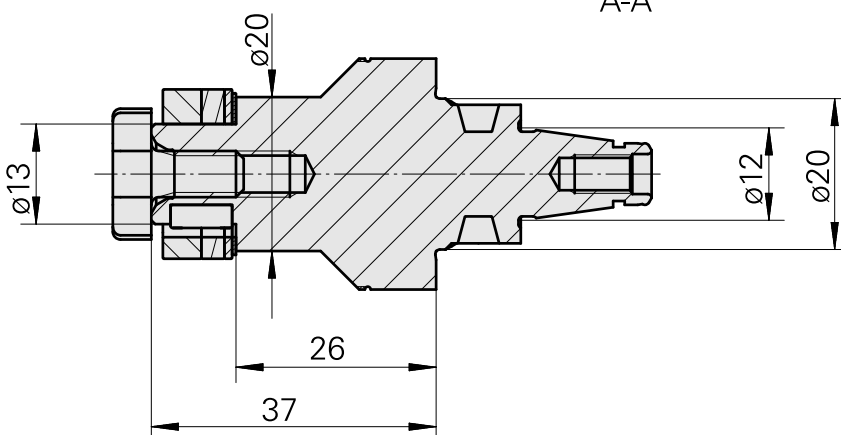
Albero portafrese D13

Accessorio per cambio rapido

atta. mandrino portafresa



A-A



---

## Documents

No downloads available for this product

## Accessories

Required for operation

### [mill arbor wrench](#)

Product ID : 10788685

Previous product ID : 203020.1130

TH accessories  
category  
Tool

Mounting  
Milling shaft D13

Tools for Collet chucks  
Mill arbor wrench

### Optional accessories

#### Tool holder accessories

### [Screw](#)

Product ID : 10456640

Previous product ID : 250122.0617

TH accessories  
category  
Cutter tightening screw

Mounting  
M5

#### Other accessories

### [Ring](#)

Product ID : 10398855

Previous product ID : 251390.----

---

### [Ring](#)

Product ID : 10169490

Previous product ID : 251391.----

---