

WFB 20-12 Square 12x12, right, without gripper groove

Technical data

TH accessories category

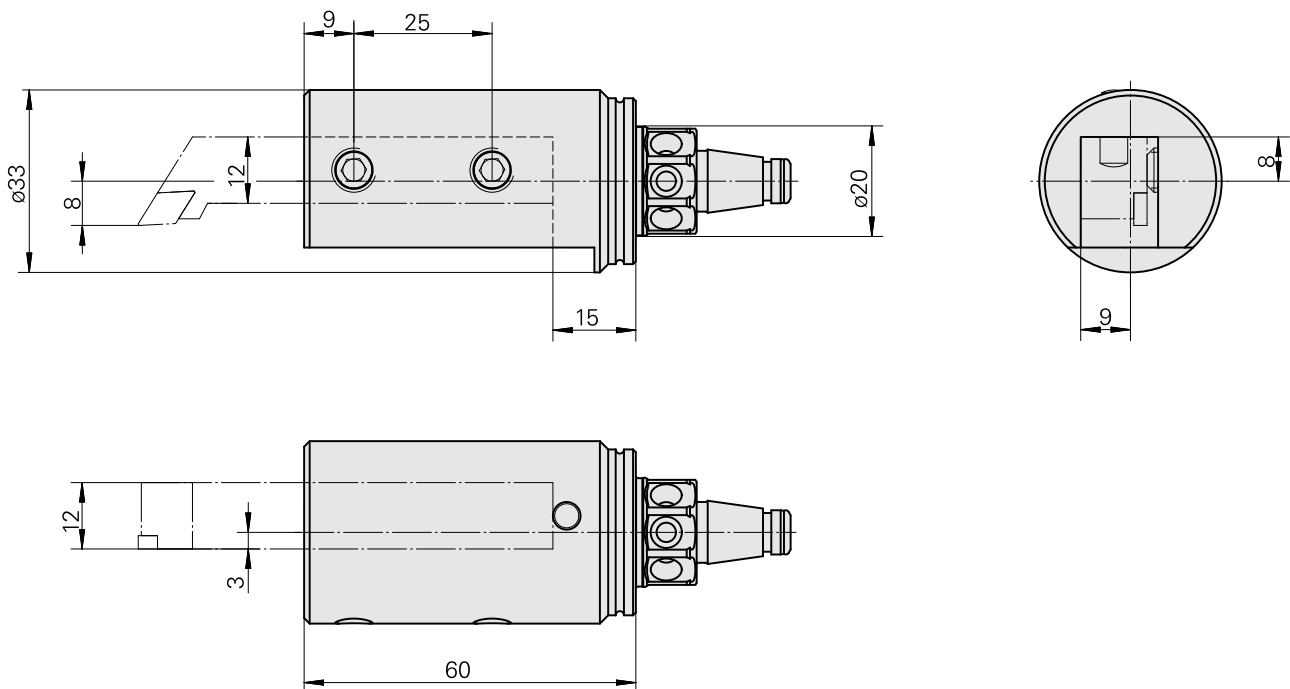
WFB 20-12

Mounting

Square 12x12

Quick change inserts

Turning tool holder



Documents

No downloads available for this product