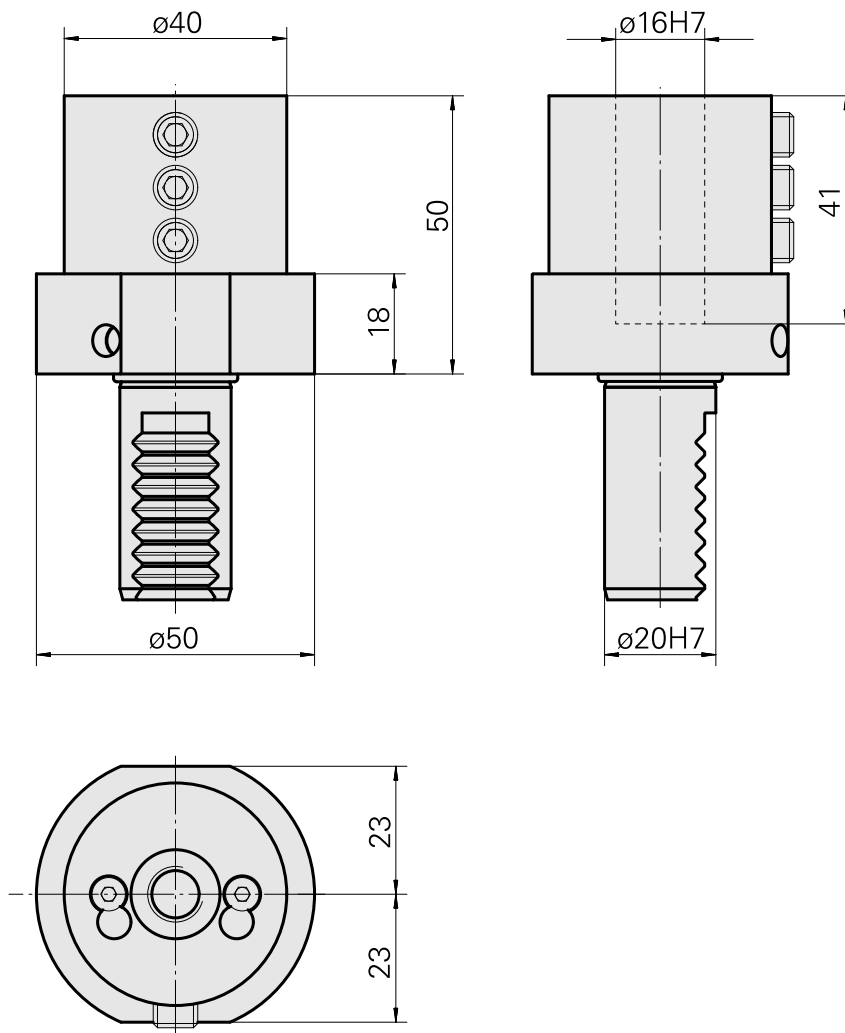
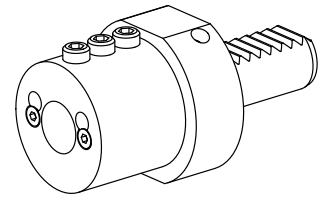


## Drilling tool holder VDI 20 D16, Form E2

### Technical data

Shank VDI	VDI 20
Drive	not live
Fixation VDI	none
Cooling	external
Pressure	20 bar
Mounting	D16
reversible 180°	no
X [mm]	50 (1.97")
Y [mm]	-
Z [mm]	-



## **Documents**

No downloads available for this product

## **Accessories**

Optional accessories

### **Other accessories**

[Mounting sleeve with collar D16](#)

Product ID : 10914323

Previous product ID : W67511.04--

---