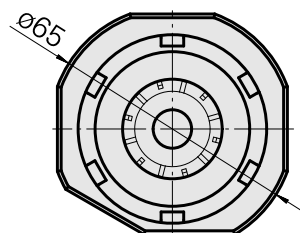
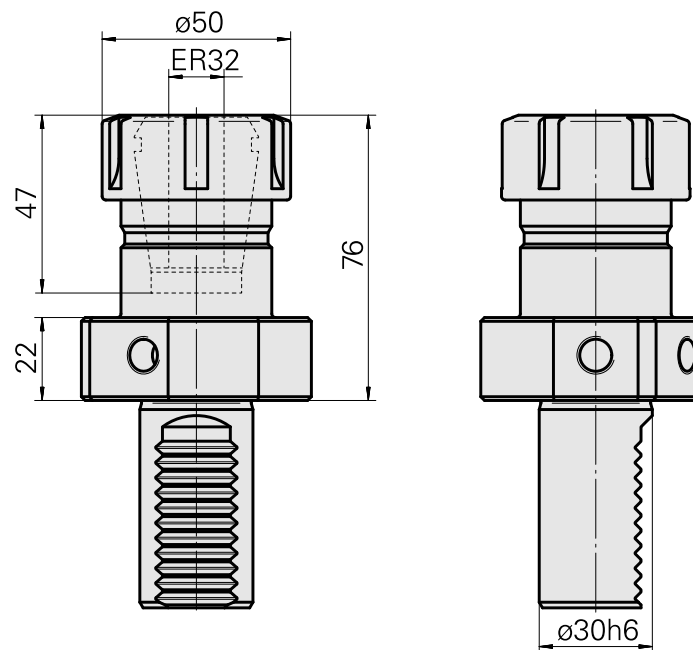
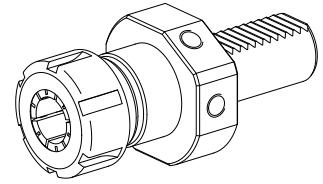


Drilling tool holder VDI 30 ER32, Form E4

Technical data

Shank VDI	VDI 30
Drive	not live
Fixation VDI	none
Cooling	internal
Pressure	20 bar
Mounting	ER32
reversible 180°	no
Data carrier	check tool station bore
X [mm]	76 (2.99")
Y [mm]	–
Z [mm]	–
INDEX TRAUB products	IT600 • V100 • TNA300 • V160C • V160G



Documents

No downloads available for this product

Accessories

Required for operation

[Spanner](#)

Product ID : 10181051

Previous product ID : 490219.0321

TH accessories category Tool	Mounting ER32	Collet type ER 32	Clamping nut type Female thread
Tools for Collet chucks Clamping nut wrench			

Optional accessories

Tool holder accessories

[Clamping nut](#)

Product ID : 10117729

Previous product ID : 901939.0321

TH accessories category Clamping nut	Mounting ER32	Collet type ER 32	Clamping nut type Female thread
---	------------------	----------------------	------------------------------------

Other accessories

[Clamping collet](#)

Product ID : 10187712

Previous product ID : 901930.6---

[tapping tool collet ET-1-32](#)

Product ID : 10640099

Previous product ID : 3242--

10453838
W1300066

INDEX

[tapping tool collet](#)

Product ID : 10601144
Previous product ID : WZ9990.9509F

[Collet chuck](#)

Product ID : 10659178
Previous product ID : W999068-
