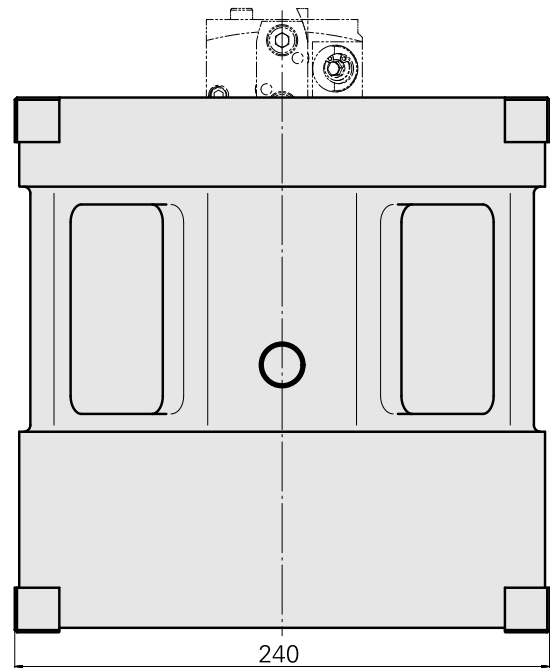
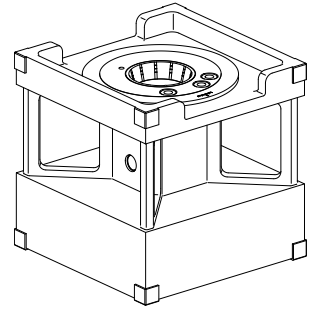


## Voreinstellklotz

### Technical data

WZH Zubehörkategorie

Voreinstellklotz



## Documents

### Product notes

[DE \(pdf\)](#)

[EN \(pdf\)](#)

[FR \(pdf\)](#)

## Accessories

### Optional accessories

#### Zubehör für Werkzeughalter

##### [Mount](#)

Product ID : 10655070

Previous product ID : W9990497

TH accessories  
category  
Adapter pre-  
adjustment block

Tool mounting  
HSK 40

##### [Mount](#)

Product ID : 10785347

Previous product ID : W9990498

TH accessories  
category  
Adapter pre-  
adjustment block

Tool mounting  
HSK 50

##### [Mount HSK63](#)

Product ID : 10643359

Previous product ID : W9990499

TH accessories  
category  
Adapter pre-  
adjustment block

Tool mounting  
HSK 63

### Presetting device /INDEX CAPTO C3

Product ID : 10657991  
Previous product ID : W9990998

TH accessories category Adapter pre-adjustment block	Tool mounting CAPTO C3
---	---------------------------

### Adaptor

Product ID : 12166212  
Previous product ID :

TH accessories category Adapter pre-adjustment block	Tool mounting CAPTO C6
---	---------------------------

### Aufnahme TNL18/TNL20/TNL32compact/TNK40.2

Product ID : 11008063  
Previous product ID : W9990195

TH accessories category Adapter pre-adjustment block	Tool mounting Compact shank 45/ Shank 36 • Compact shank 45/Shank 36	INDEX TRAUB products TNL32 compact • TNL20 • TNL18 • TNK40.2
---	---	---

### Aufnahme TNL32/TNK42

Product ID : 10826369  
Previous product ID : W9990505

TH accessories category Adapter pre-adjustment block	Tool mounting Compact shank 45/ Shank 36	INDEX TRAUB products TNL32
---	--	-------------------------------

### Aufnahme VDI20

Product ID : 10364694  
Previous product ID : W9990191

TH accessories category Adapter pre-adjustment block	Tool mounting VDI 20
---	-------------------------

---

### Aufnahme VDI25

Product ID : 10491250

Previous product ID : W9990192

TH accessories  
category  
Adapter pre-  
adjustment block

Tool mounting  
VDI 25

### Aufnahme VDI30

Product ID : 10300226

Previous product ID : W9990193

TH accessories  
category  
Adapter pre-  
adjustment block

Tool mounting  
VDI 30

### Aufnahme VDI40

Product ID : 10946082

Previous product ID : W9990194

TH accessories  
category  
Adapter pre-  
adjustment block

Tool mounting  
VDI 40