

WFB 32-20 Fräswelle D27

Technical data

WZH Zubehörkategorie

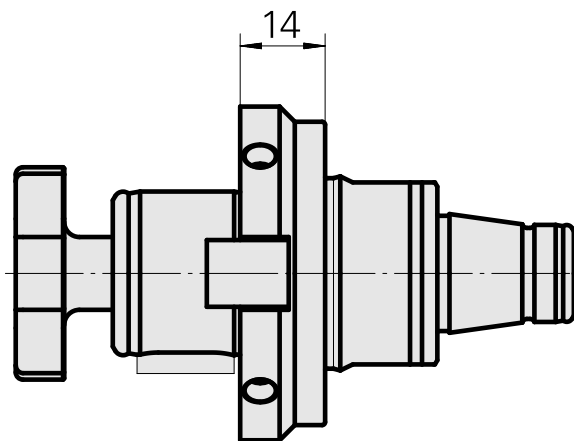
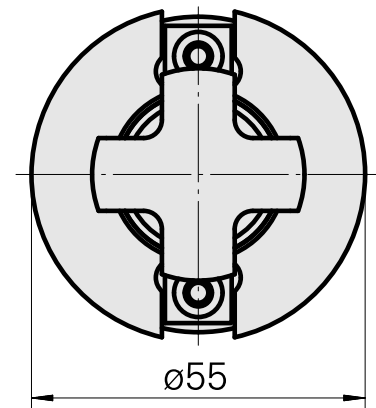
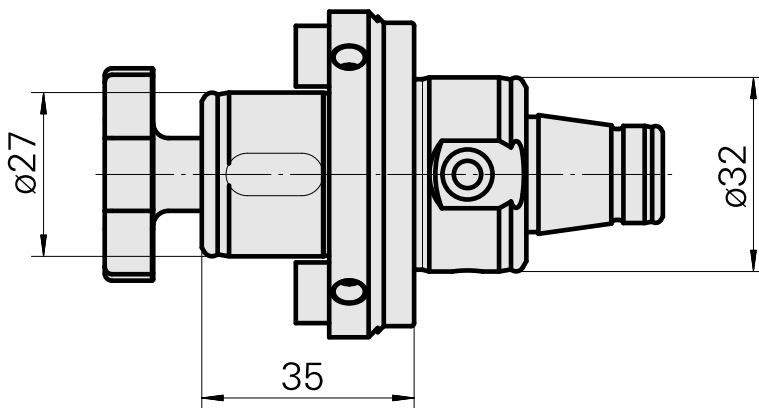
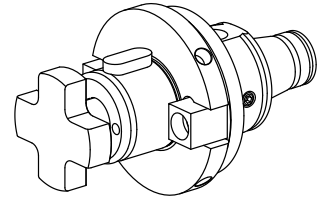
WFB 32-20

Aufnahme

Fräswelle D27

Schnellwechseleinsätze

Fräsdornaufnahme



Documents

No downloads available for this product

Accessories

Required for operation

[Fräsdornschlüssel 27](#)

Product ID : 10860744

Previous product ID : 203020.1270

TH accessories
category
Tool

Mounting
Milling shaft D27

Tools for Collet chucks
Mill arbor wrench

Optional accessories

Tool holder accessories

[Screw](#)

Product ID : 10085152

Previous product ID : 250122.1235

TH accessories
category
Cutter tightening screw

Mounting
M12

Other accessories

[Ring](#)

Product ID : 10398855

Previous product ID : 251390.----

[Ring](#)

Product ID : 10169490

Previous product ID : 251391.----
