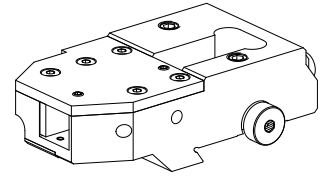


## Grooving tool and stop holder MS32/MS40

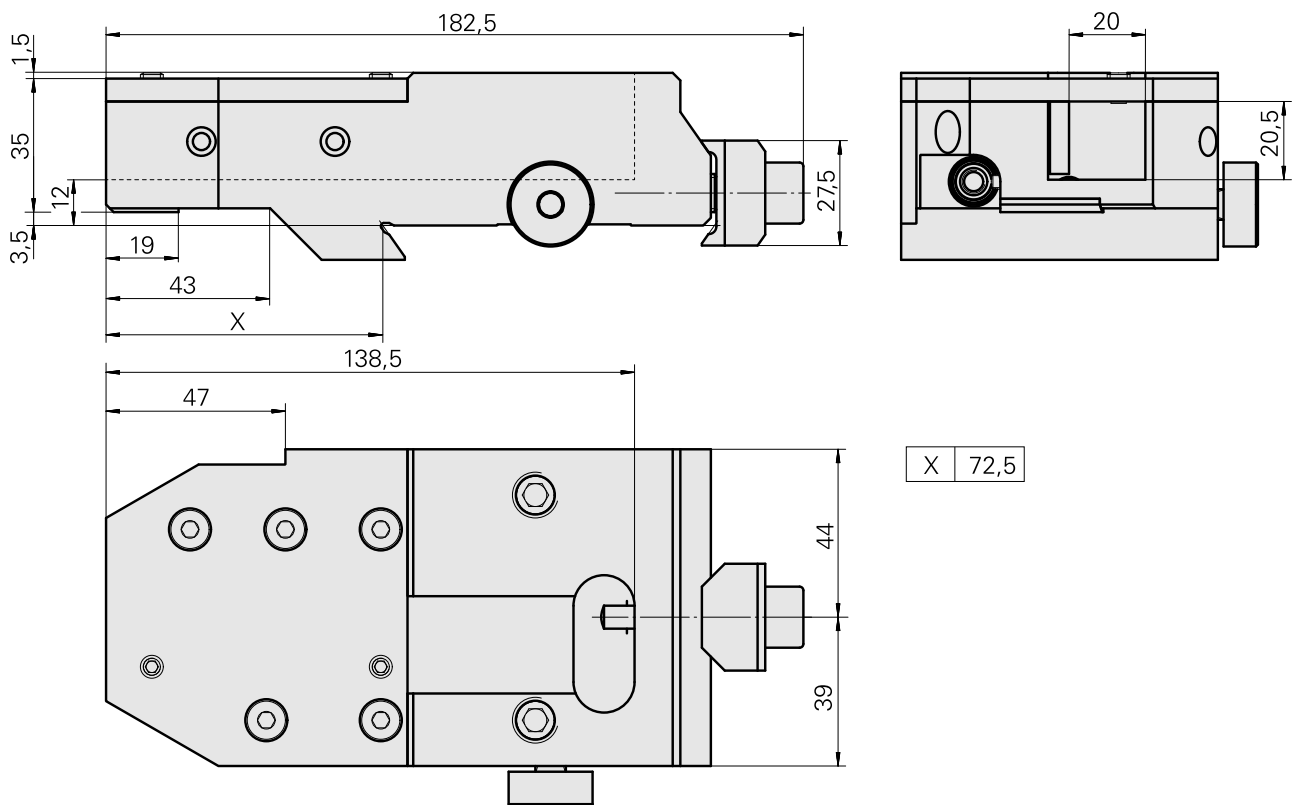
### Technical data

<b>Slide system MS</b>	MS32/MS40
<b>Drive</b>	not live
<b>Fixation MS</b>	Dovetail
<b>Cooling</b>	external
<b>Pressure</b>	20 bar
<b>Direction</b>	left-handed run
<b>Mounting</b>	Square 20x20
<b>X [mm]</b>	72.5 (2.85")
<b>Y [mm]</b>	–
<b>Z [mm]</b>	12 (0.47)
<b>INDEX TRAUB products</b>	MS32C • MS32-6.2 • MS40-6 • MS32-6.3



### Note

Cannot be used on cross slides with W-serration.



---

## Documents

No downloads available for this product

## Accessories

### Optional accessories

#### Tool holder accessories

#### [Angle, Height 4 mm, Width 4 mm](#)

Product ID : 10328835

Previous product ID : WK1110.16

TH accessories  
category  
Compensation bracket

Mounting  
Square 20x20

#### Other accessories

#### [BALL SPRAY NOZZLE 12D/M6](#)

Product ID : 10602750

Previous product ID : 474550.0101

---

#### [Cover](#)

Product ID : 10225995

Previous product ID : W95061.5254

---

#### [Countersunk screw M 4x 8/T20 verzinkt 402314 8](#)

Product ID : 10586100

Previous product ID : 410362.0408

---