

Grooving tool holding block, vertically adjustable

Technical data

Drive
reversible 180°

X [mm]

Y [mm]

Z [mm]

INDEX TRAUB products

not live

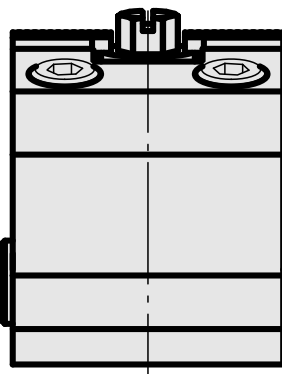
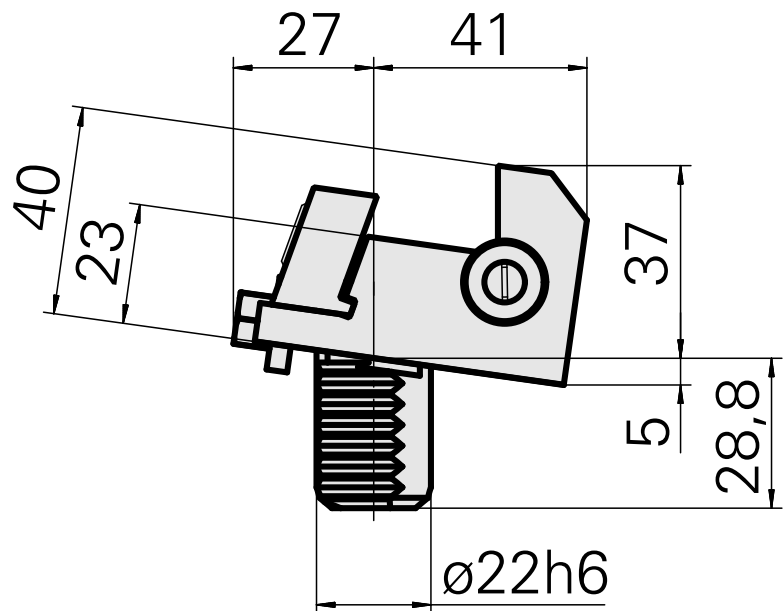
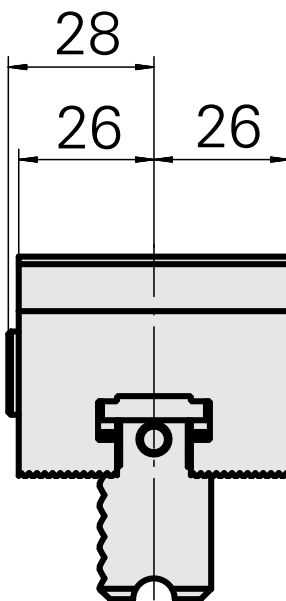
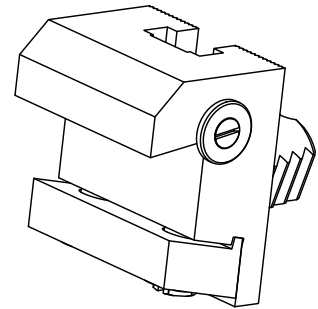
yes

40 (1.57")

–

–

ABC • ABC.2



10170595
W9990244

INDEX

Documents

No downloads available for this product