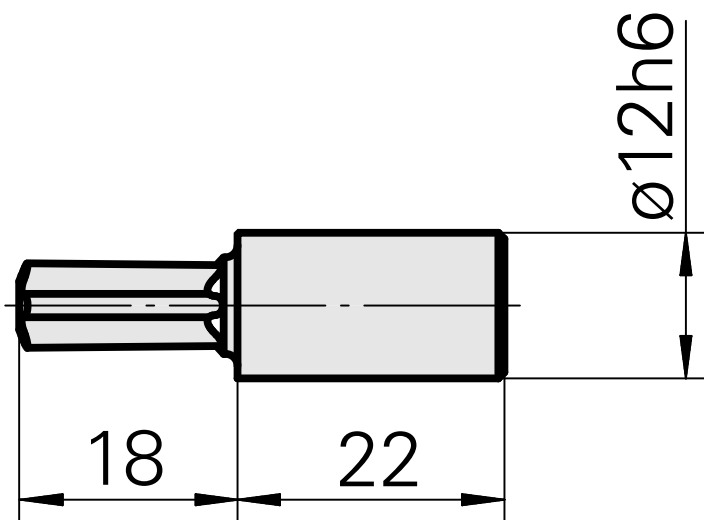


Broach Torx 30

Technical data

TH accessories category	Broach
Mounting	Torx 30
Tool mounting	12mm



Documents

No downloads available for this product