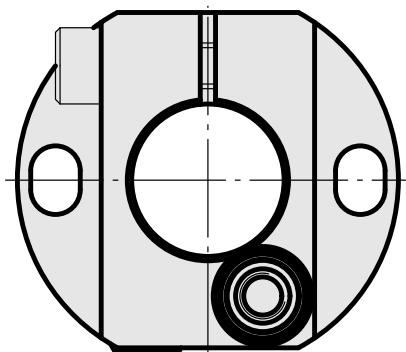
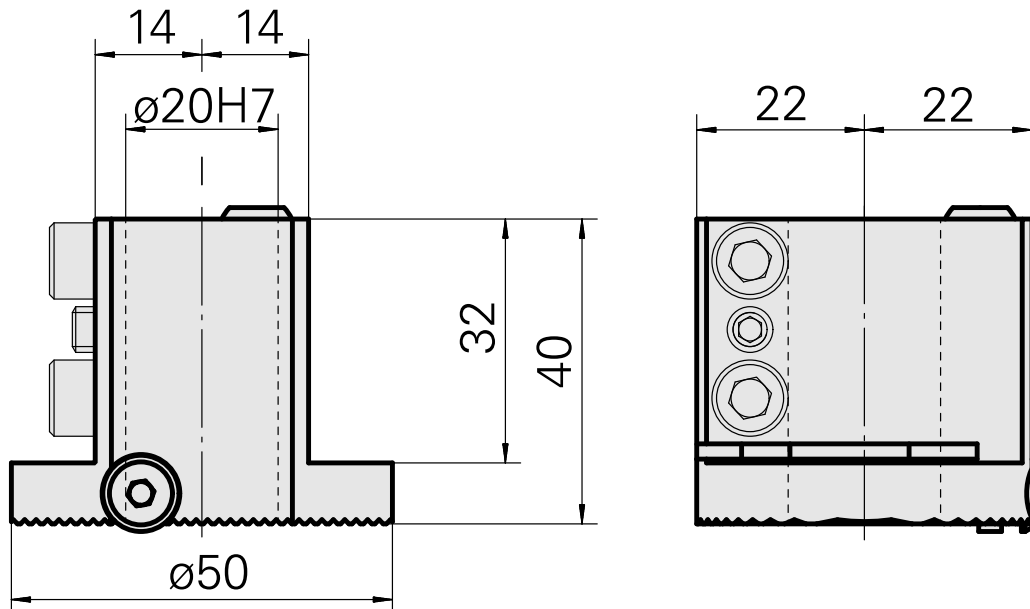
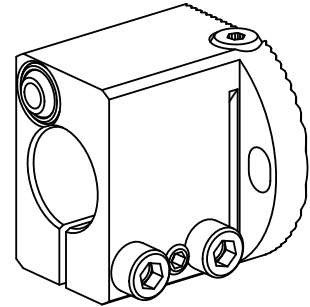


Drill holding block D20 (0.79 ")

Technical data

Drive	not live
Cooling	external
Pressure	20 bar
Mounting	D20
X [mm]	40 (1.57")
Y [mm]	-
Z [mm]	-
INDEX TRAUB products	C42/65 • G160 • G300 • A200-6 • ABC • C100 • C200 • G200 • G200.2 • G220 • G250 • ABC.2



Documents

No downloads available for this product

Accessories

Optional accessories

Other accessories

[Mounting sleeve D20](#)

Product ID : 10994732

Previous product ID : W62220.01--

[BALL SPRAY NOZZLE 12D/M6](#)

Product ID : 10602750

Previous product ID : 474550.0101
