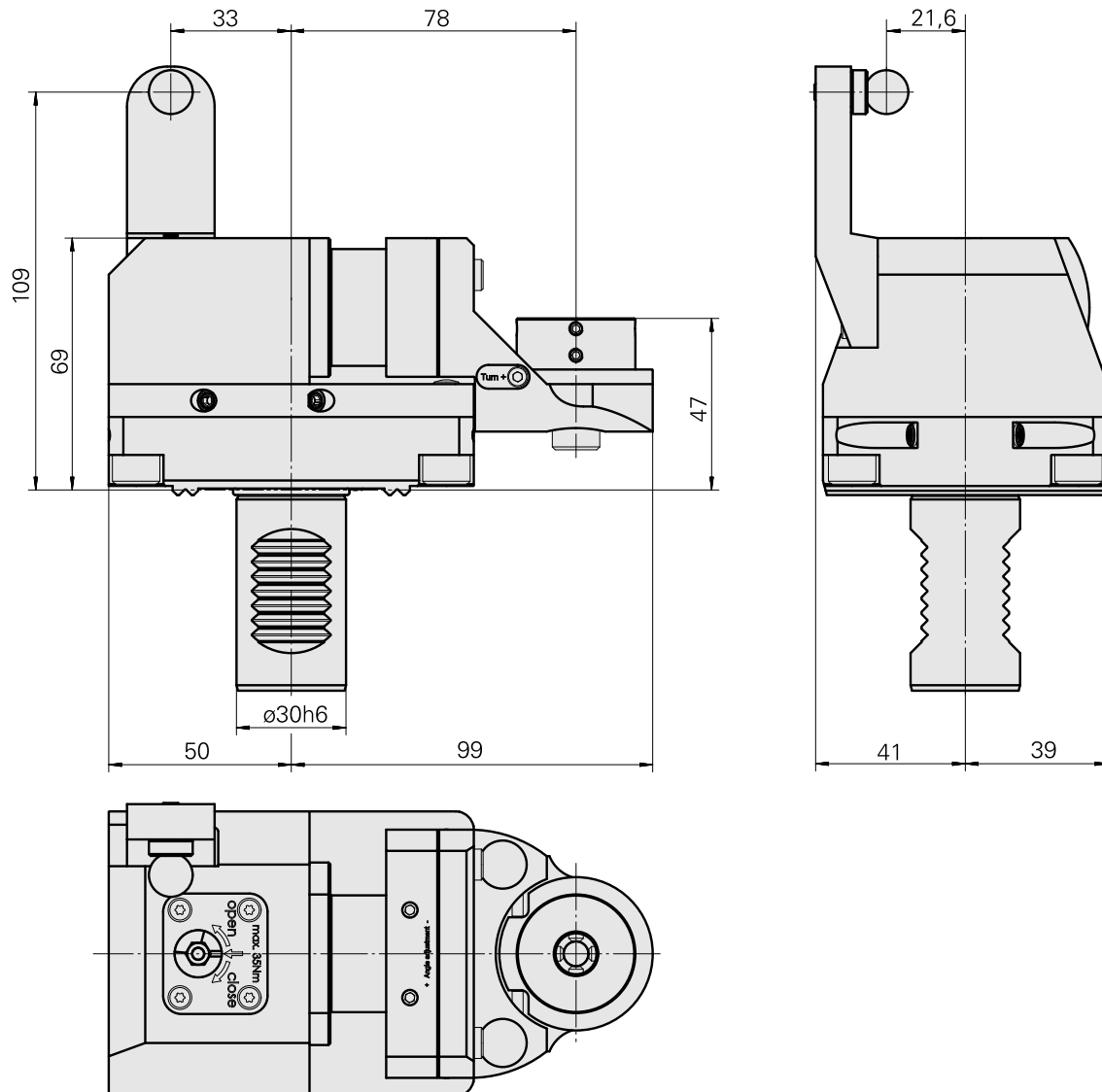
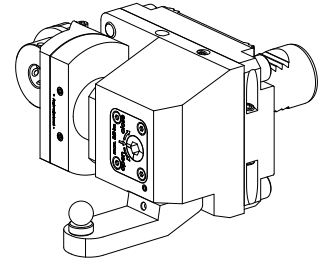


Support de palpeur de mesure

Technical data

Queue VDI	VDI 30
Entraînement	non entraîné
Fixation VDI	Denture W
Réversible 180°	oui
support de données	contrôler l'alésage logement
X [mm]	-
Y [mm]	-
Z [mm]	-



Documents

No downloads available for this product

Accessories

Optional accessories

Syst. mes.

[Tool holder](#)

Product ID : 11096652

Previous product ID : W9991285

Electrical assemblies
Measuring system

[Dispositivo de medição](#)

Product ID : 12098223

Previous product ID :

Electrical assemblies
Measuring system

[Pino apalpador](#)

Product ID : 10519948

Previous product ID : 487542.0131

Electrical assemblies
Measuring system

[Sensor](#)

Product ID : 10874370

Previous product ID : 487542.0191

Electrical assemblies
Measuring system

Not defined

Product ID : 10974572

Previous product ID : XT90407.9009

Electrical assemblies

Measuring system

Bouton-poussoir

Product ID : 12093646

Previous product ID :

Electrical assemblies

Measuring system

Disp de mesure

Product ID : 12098222

Previous product ID :

Electrical assemblies

Measuring system

Bras de mesure

Product ID : 10773869

Previous product ID : 487542.0691

Electrical assemblies

Measuring system

Goupille

Product ID : 10053853

Previous product ID : XT90407.9012

Electrical assemblies

Measuring system

Schweiger

Pino apalpador

Product ID : 10148267

Previous product ID : 487542.4001

Electrical assemblies

Measuring system

[Pino apalpador](#)

Product ID : 10861989

Previous product ID : 487542.4061

Electrical assemblies

Measuring system

[Sensor](#)

Product ID : 10242498

Previous product ID : 487542.0331

Electrical assemblies

Measuring system

[Bouton-poussoir](#)

Product ID : 10089347

Previous product ID : 487542.1021

Electrical assemblies

Measuring system

Protection class

IP68 / IPx8

Other accessories

[Sondes](#)

Product ID : 12166433

Previous product ID :

[Inserto p fim de curso](#)

Product ID : 12108536

Previous product ID :

[Mandril de aperto](#)

Product ID : 12125769

Previous product ID :

[Sensor](#)

Product ID : 12104099

Previous product ID :
