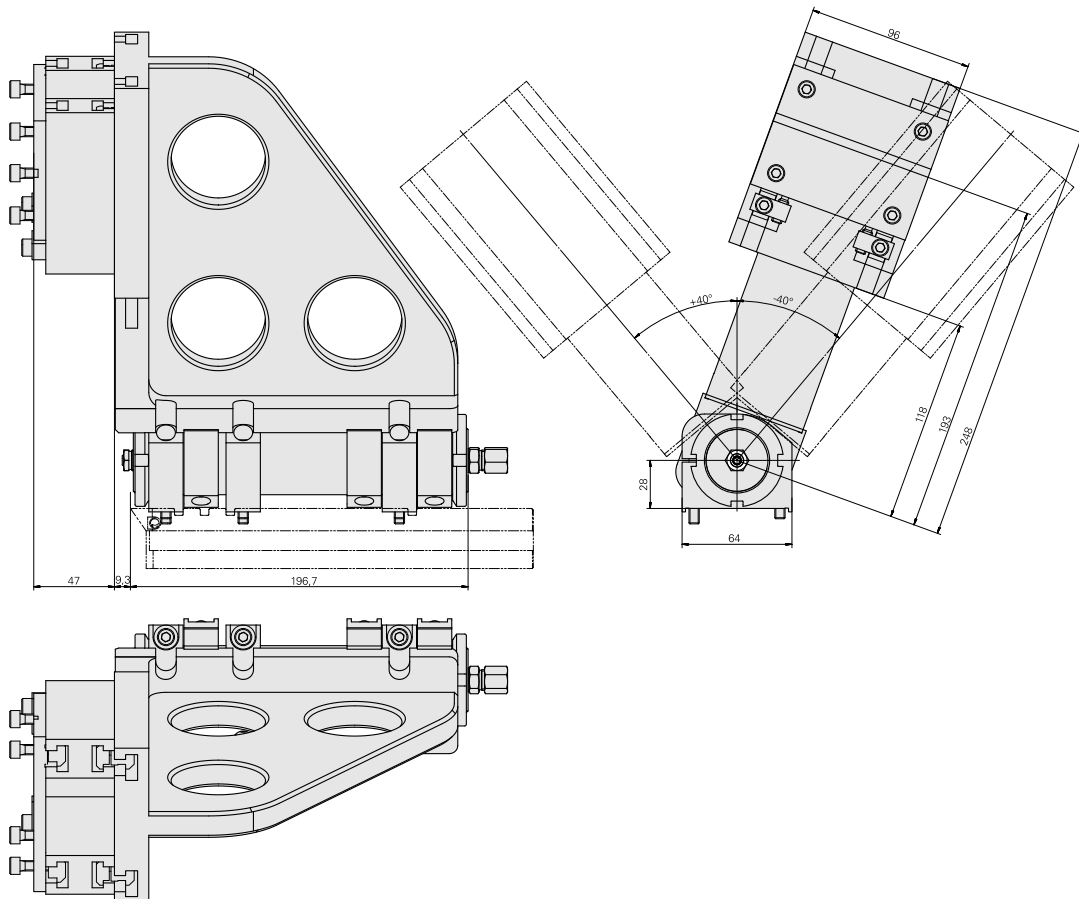


Basic holder MS16/MS22, $\pm 40^\circ$

Technical data

Slide system MS	MS16/MS22
Drive	not live
Fixation MS	none
Cooling	external
Pressure	80 bar
X [mm]	56,3 (2,22")
Y [mm]	0
Z [mm]	–
INDEX TRAUB products	MS22-6 • MS22-8 • MS24-6



Documents

No downloads available for this product

Accessories

Optional accessories

MS tool holders

[Distance plate MS32/MS40](#)

Product ID : 12108023

Previous product ID :

Slide system MS MS32/MS40	Drive not live	Fixation MS Splined key/pin	X [mm] 15 (0.59")
Y [mm] -	Z [mm] -	INDEX TRAUB products MS40-6 • MS40-8	

[Distance plate MS52](#)

Product ID : 12120437

Previous product ID :

Slide system MS MS52	Drive not live	Fixation MS Splined key/pin	X [mm] -
Y [mm] -	Z [mm] -	INDEX TRAUB products MS52-6.3	