

Plate, height 4 mm (0.15")

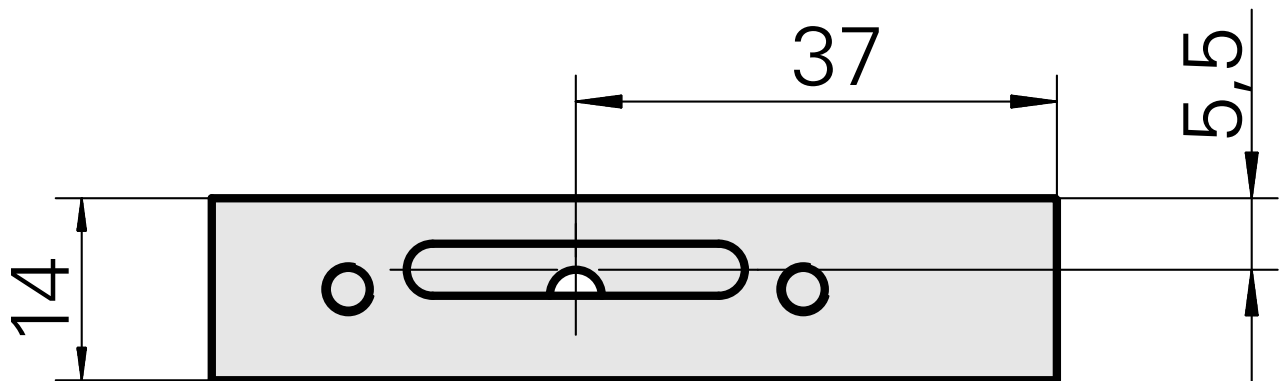
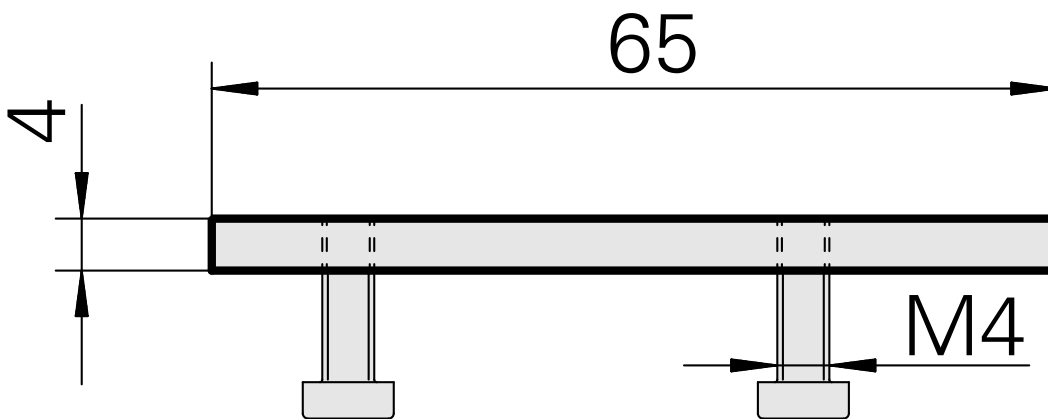
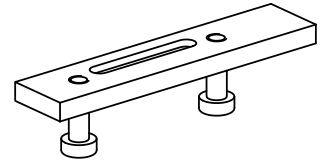
Technical data

TH accessories category

Compensation plate

Mounting

Square 16x16



Documents

No downloads available for this product