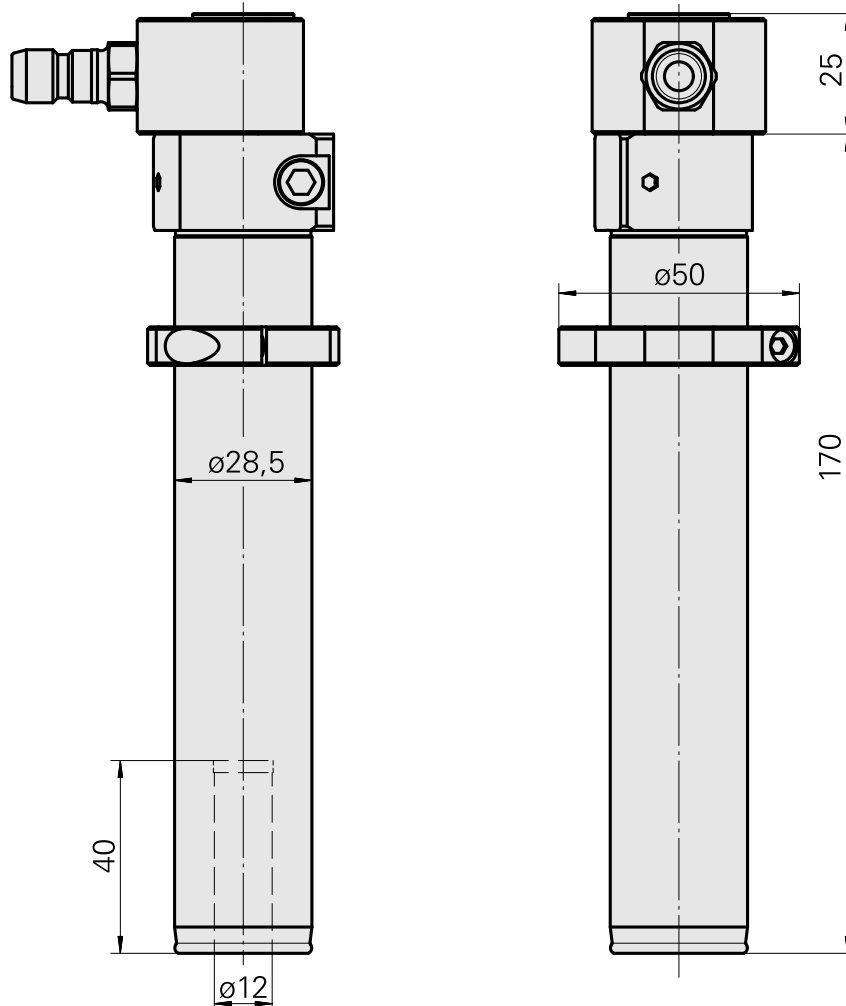
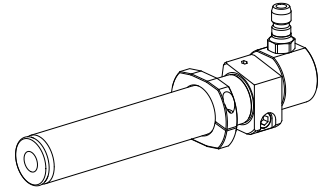


## Porte-foret Hydroexpansible D12

### Technical data

|                      |  |
|----------------------|--|
| Drive                | not live   |
| Fixation MS          | Clamping ring D28.5                                |
| Cooling              | internal   |
| Pressure             | 80 bar   |
| Mounting             | Hydraulic expansion chuck D12                      |
| X [mm]               | -  |
| Y [mm]               | -  |
| Z [mm]               | -  |
| INDEX TRAUB products | MS22-6 • MS22-8 • MS16-6 •<br>MS24-6 • MS16-6 Plus |



## Documents

### Product notes

[DE \(pdf\)](#)

[EN \(pdf\)](#)

[FR \(pdf\)](#)

## Accessories

### Optional accessories

#### Other accessories

#### [Reductions Hydraulic Expansion D12](#)

Product ID : 10945239

Previous product ID : W99911--

---

#### [QUICK COUPLING SP-006-0-WR513-11-2 Serie LP](#)

Product ID : 10837142

Previous product ID : 474940.0112

---