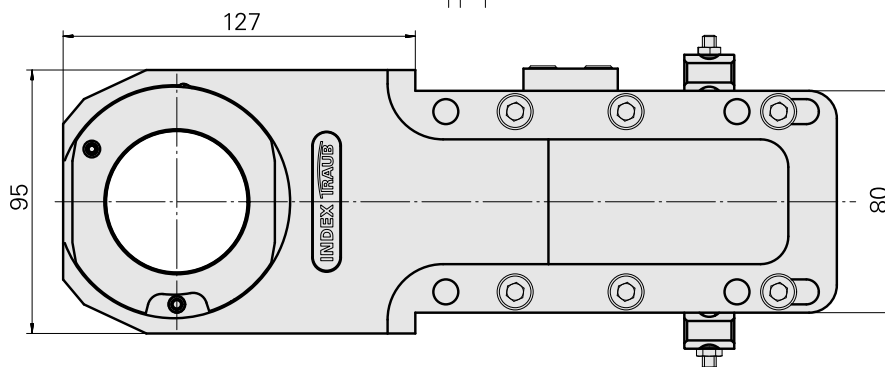
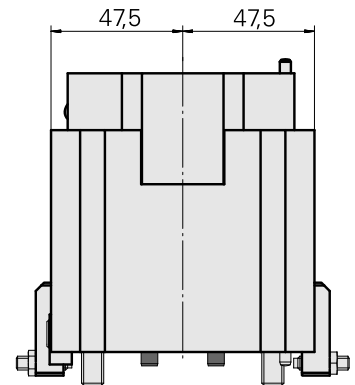
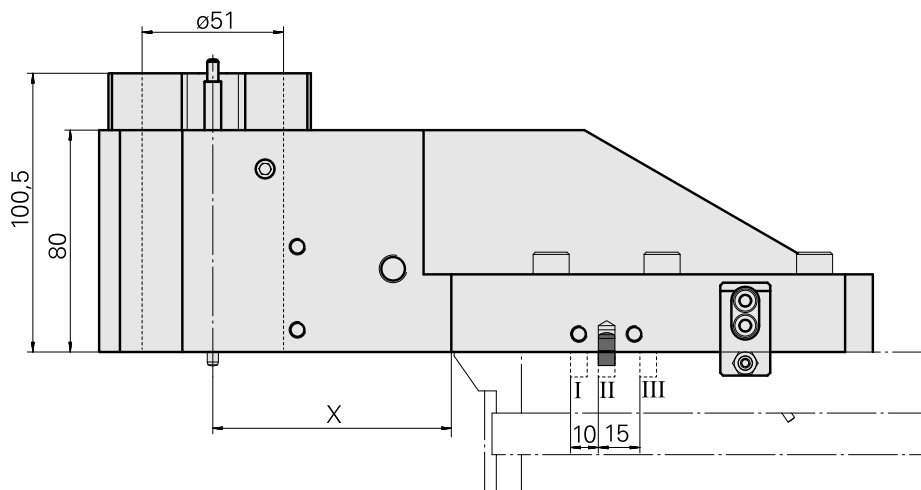
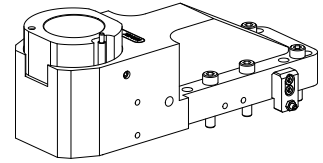


Basic holder MS32/MS40 Hydraulic expansi

Technical data

Slide system MS	MS32/MS40
Drive	not live
Fixation MS	Splined key/pin
Mounting	Hydraulic expansion chuck D51
X [mm]	86 (3.39")
Y [mm]	–
Z [mm]	0 0
INDEX TRAUB products	MS40-8



	I	II	III
X	96	86	71

Documents

Product notes

[DE \(pdf\)](#)

[EN \(pdf\)](#)

[FR \(pdf\)](#)

[FR \(pdf\)](#)

[EN \(pdf\)](#)

[DE \(pdf\)](#)

Accessories

Optional accessories

Tool holder accessories

[Reductions Hydraulic Expansion D51/ D36](#)

Product ID : 10455757

Previous product ID : W95281.1550

TH accessories
category
Reductions Hydraulic
Expansion

Mounting
D51

Tool mounting
D36

Other accessories

[Not defined Standard MS52](#)

Product ID : 10397970

Previous product ID : WM3700.3110F
