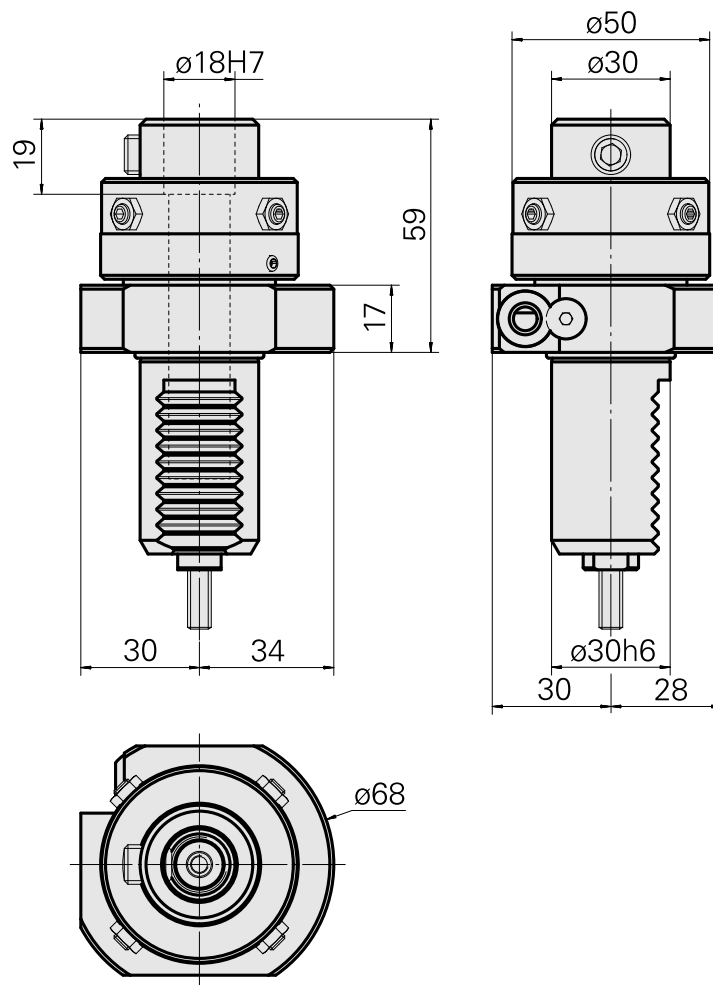


Reaming tool holder VDI 30 D18 (0.71 "), adjustable

Technical data

Shank VDI	VDI 30
Drive	not live
Fixation VDI	none
Cooling	external
Pressure	20 bar
Mounting	D18
reversible 180°	no
X [mm]	59 (2.32")
Y [mm]	-
Z [mm]	-
INDEX TRAUB products	V100 • V200 • V160C • V160G • V300 • TNA300



Documents

No downloads available for this product

Accessories

Optional accessories

Other accessories

[Clamping sleeve D18](#)

Product ID : 10677907

Previous product ID : 993118.----

[Tube](#)

Product ID : 10676412

Previous product ID : W63211.5112

[Countersunk screw 8.8 Torx M 5x12 14581 M 5x12/T25 verzinkt 402315 12](#)

Product ID : 10607371

Previous product ID : 410362.0512
