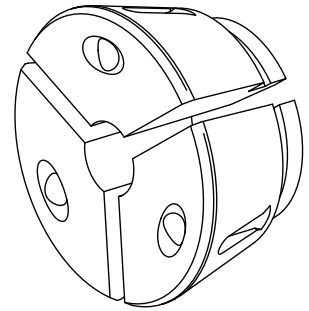


Clamping head SK42 D=17,5mm

Technical data

Clamping device size	SK42
manufacturer product line	SPANNTOP nova chuck
Clamping type	smooth
Nominal diameter (mm)	17.5 Millimeter
Clamping method	External clamping
manufacturer product line	Hainbuch



No 3-side view is currently available for this product

10982914
900442.2175

INDEX

Documents

No downloads available for this product