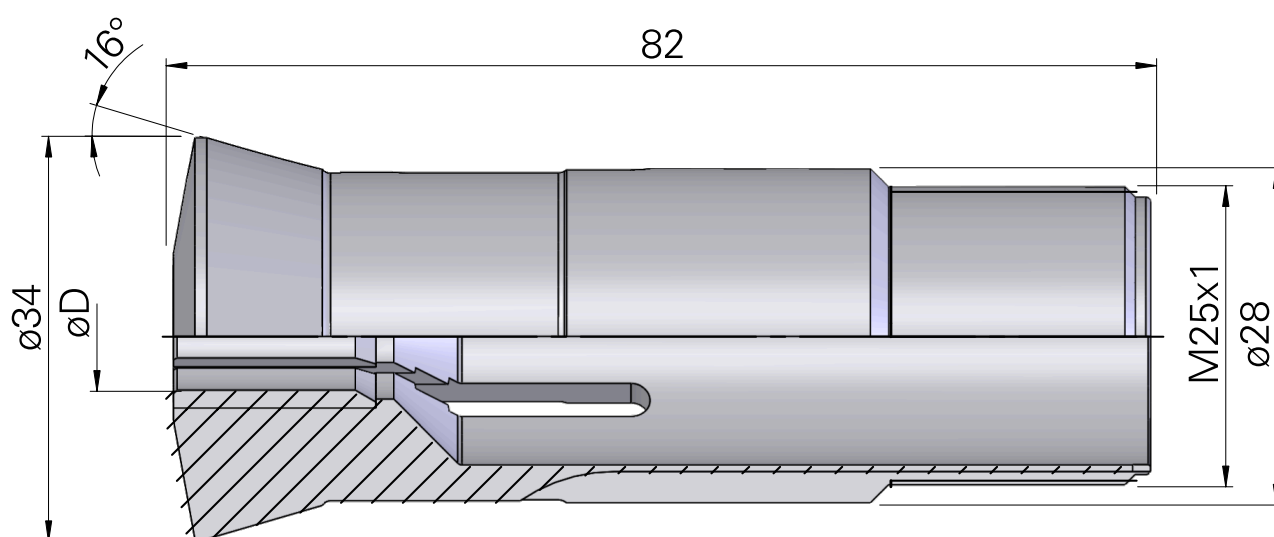


Douille de guidag T223 Ø=11,00

Technical data

| | |
|---------------------------|-----------------------------|
| Clamping device size | T223 |
| manufacturer product line | |
| Clamping type | with carbide insert |
| Nominal diameter (mm) | 11 Millimeter |
| Clamping method | External clamping |
| Collet design | adjustable |
| Collet version | Slots vulcanized (standard) |
| manufacturer product line | Schlenker |



Documents

No downloads available for this product