

WFB 32-20 for Threading insert 3EL-, right, without gripper groove

Technical data

TH accessories category

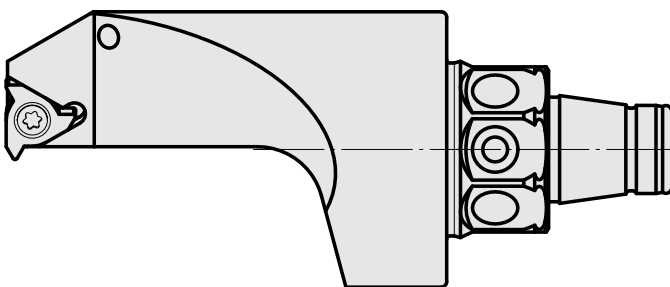
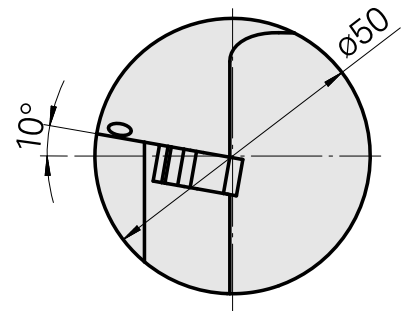
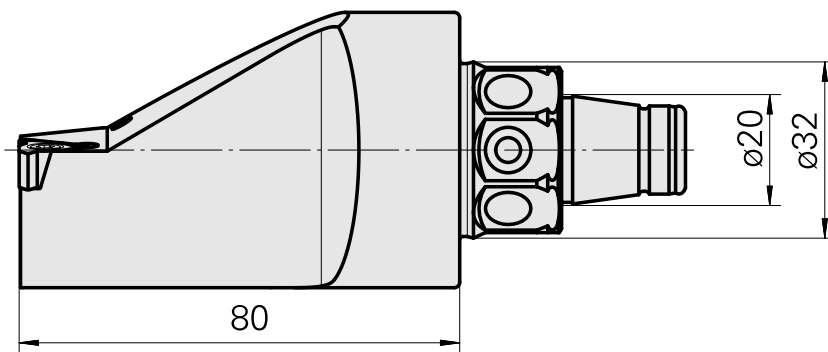
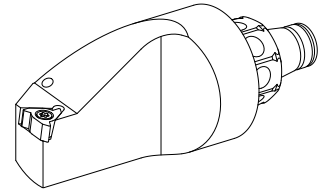
WFB 32-20

Mounting

for Threading insert 3EL-

Quick change inserts

Turning tool holder



Documents

No downloads available for this product