

## Compensation holder

### Technical data

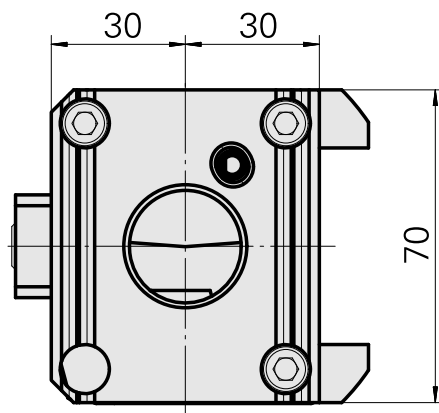
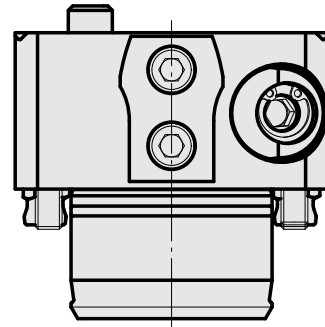
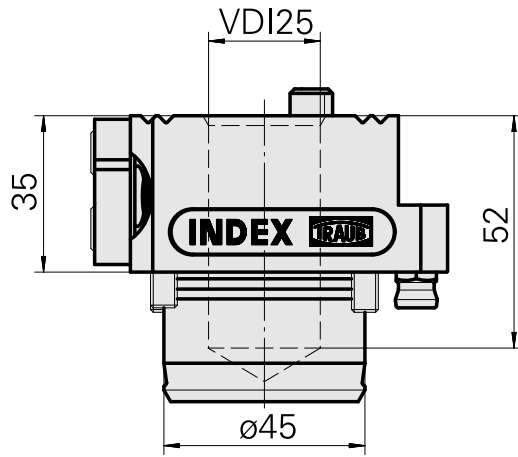
<b>Shank KPS</b>	KPS 45
<b>Drive</b>	not live
<b>Cooling</b>	internal
<b>Mounting</b>	VDI 25
<b>Pressure</b>	80 bar
<b>reversible 180°</b>	no
<b>X [mm]</b>	35 (1.38")
<b>Y [mm]</b>	–
<b>Z [mm]</b>	–
<b>INDEX TRAUB products</b>	ABC65 • TNK42/65



### Note

When using VDI tool holders with a height of more than 60 mm (in the X direction), a collision check has to be carried out!

When using VDI tool holders with a height of more than 60 mm (in the X direction), a collision check has to be carried out!



## **Documents**

No downloads available for this product