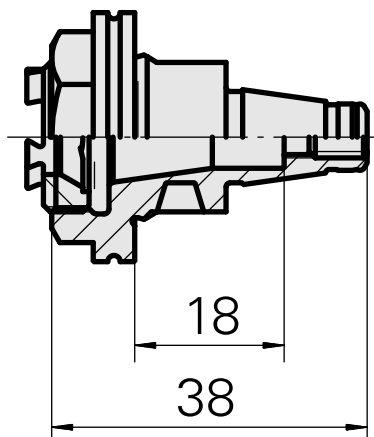
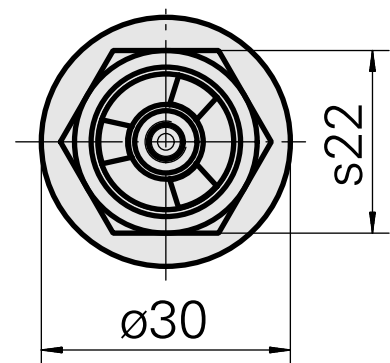
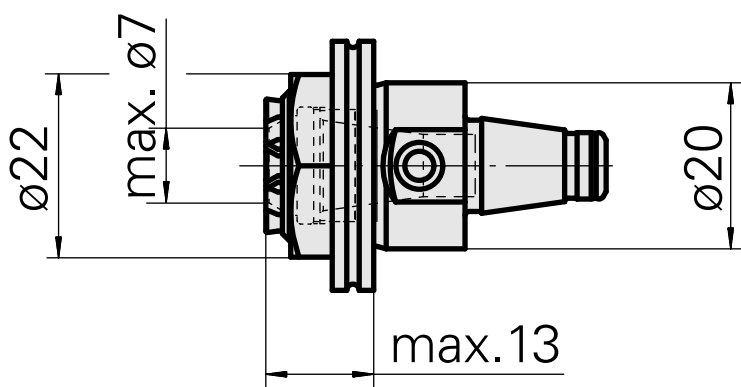
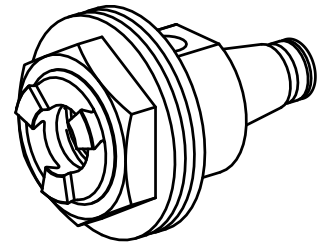


WFB 20-12 ER11, with internal clamping nut

Technical data

TH accessories category	WFB 20-12
Mounting	ER11
Quick change inserts	collet mounting



Documents

No downloads available for this product

Accessories

Required for operation

[Spanner](#)

Product ID : 10262607

Previous product ID : 490219.3111

TH accessories category Tool	Mounting ER11	Collet type ER 11	Clamping nut type Male thread
Tools for Collet chucks Clamping nut wrench			

Optional accessories

Tool holder accessories

[Clamping nut](#)

Product ID : 10604420

Previous product ID : 901939.5111

TH accessories category Clamping nut	Mounting ER11	Collet type ER 11	Clamping nut type Male thread
---	------------------	----------------------	----------------------------------

Other accessories

[Clamping collet](#)

Product ID : 10086829

Previous product ID : 901930.0---

[tapping tool collet ET-1-12](#)

Product ID : 10001911

Previous product ID : 3239--

10708109
W9990113

INDEX

[tapping tool collet ER11GB](#)

Product ID : 10285407

Previous product ID : 900288

[Collet chuck](#)

Product ID : 10132309

Previous product ID : W999064-
