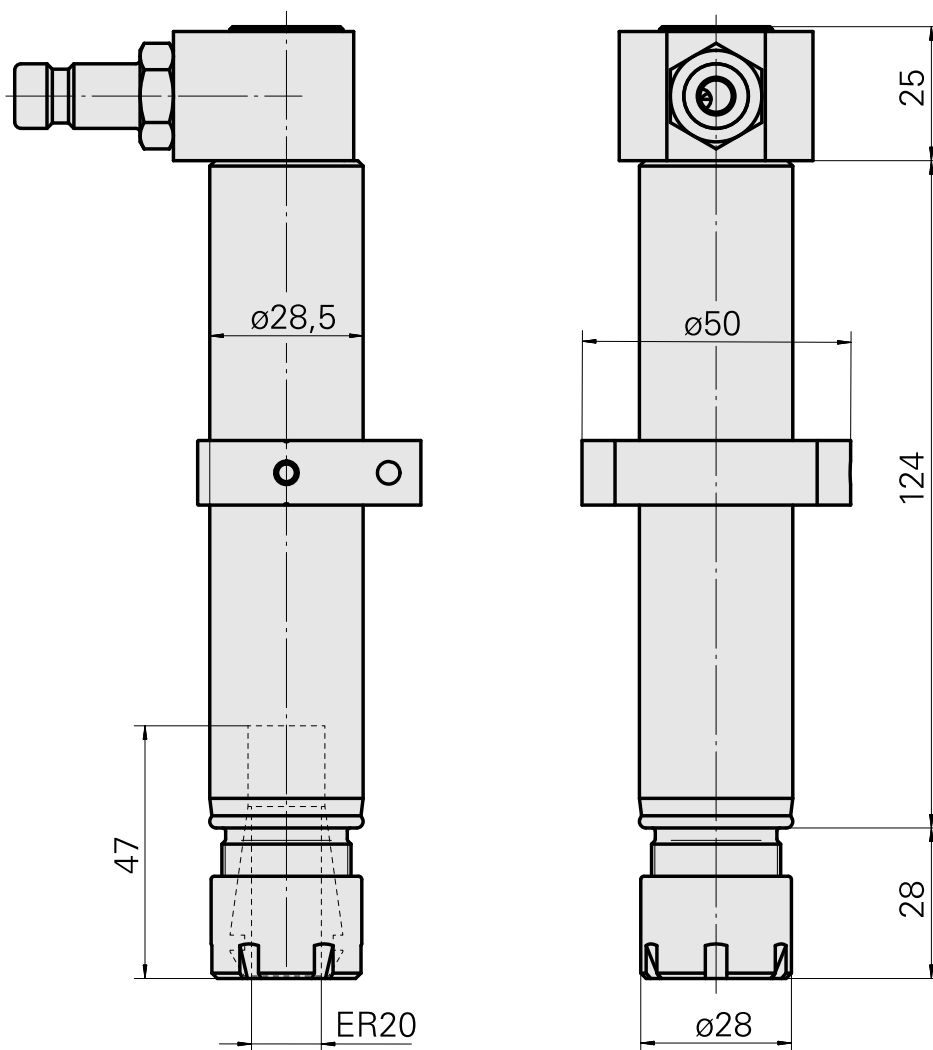
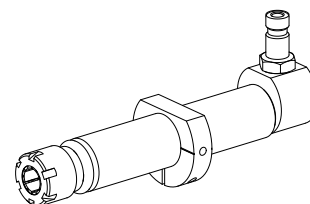


## Drilling tool holder ER20

### Technical data

|                      |   |
|----------------------|---|
| Drive                | not live  |
| Fixation MS          | Clamping ring D28.5                                       |
| Cooling              | internal  |
| Pressure             | 80 bar  |
| Mounting             | ER20  |
| X [mm]               | -   |
| Y [mm]               | -   |
| Z [mm]               | -   |
| INDEX TRAUB products | A100 • MS16-6 • MS22-6 •<br>MS22-8 • MS24-6 • MS16-6 Plus |



---

## Documents

No downloads available for this product

## Accessories

Required for operation

### [Spanner](#)

Product ID : 10195062

Previous product ID : 490219.2201

|  |                  |                      |   |
|--|------------------|----------------------|---|
| TH accessories category<br>Tool                | Mounting<br>ER20 | Collet type<br>ER 20 | Clamping nut type<br>Female thread diameter reduced |
| Tools for Collet chucks<br>Clamping nut wrench |                  |                      |   |

### Optional accessories

#### Tool holder accessories

### [Clamping nut](#)

Product ID : 10435531

Previous product ID : 901939.2201

|   |                  |                      |   |
|---|------------------|----------------------|---|
| TH accessories category<br>Clamping nut | Mounting<br>ER20 | Collet type<br>ER 20 | Clamping nut type<br>Female thread diameter reduced |
|---|------------------|----------------------|---|

#### Other accessories

### [Clamping collet](#)

Product ID : 10863981

Previous product ID : 901930.2---

---

### [tapping tool collet ET-1-20](#)

Product ID : 10418139

Previous product ID : 3234--

---

---

[Collet chuck](#)

Product ID : 10135002  
Previous product ID : W999066-

---

[Clamping collet, sealed](#)

Product ID : 10919110  
Previous product ID : W999084-

---

[QUICK COUPLING SP-006-0-WR513-11-2 Serie LP](#)

Product ID : 10837142  
Previous product ID : 474940.0112

---

[QUICK DISCONNECT FITTING SP-006-1-WR013-11 Serie LP](#)

Product ID : 10186287  
Previous product ID : 474946.25

---