

Presetting device D80/HSK40

Technical data

TH accessories category

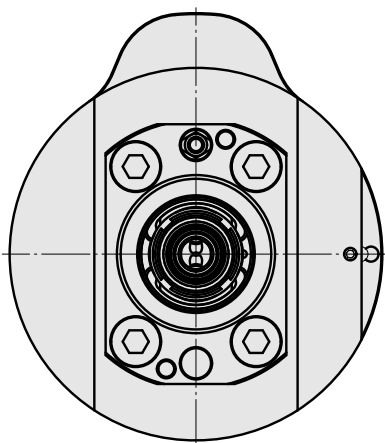
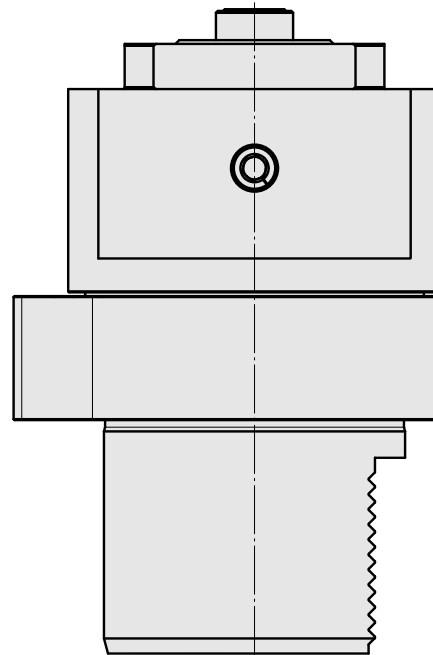
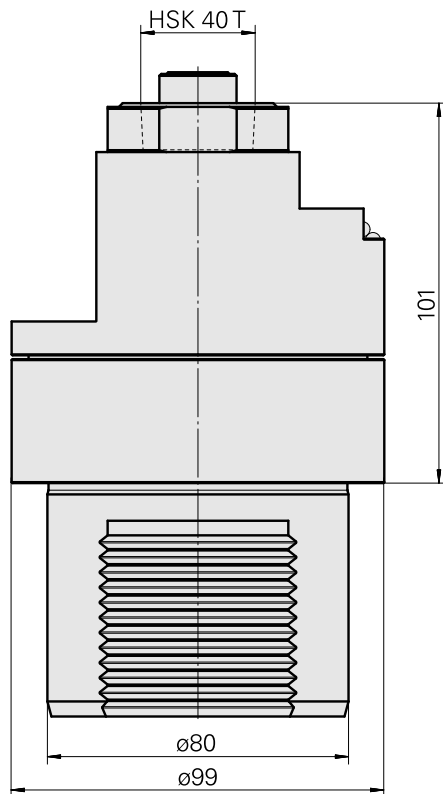
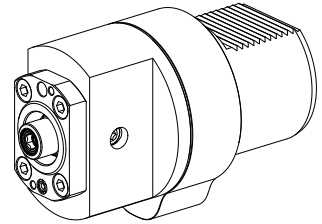
Adapter for presetting units

Mounting

D80 for presetting devices

Tool mounting

HSK 40



Documents

No downloads available for this product