

WFB 32-20 Horn Type 110

Technical data

TH accessories category

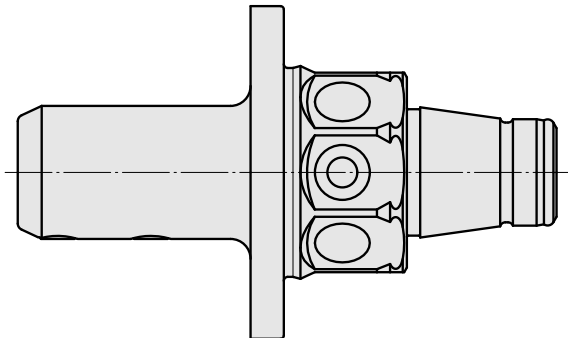
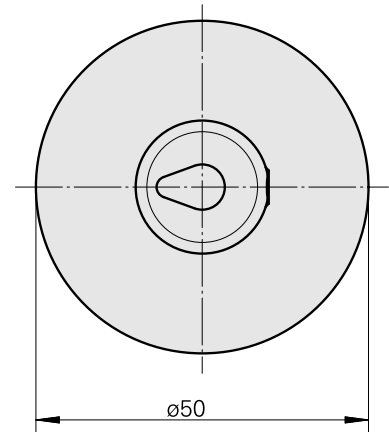
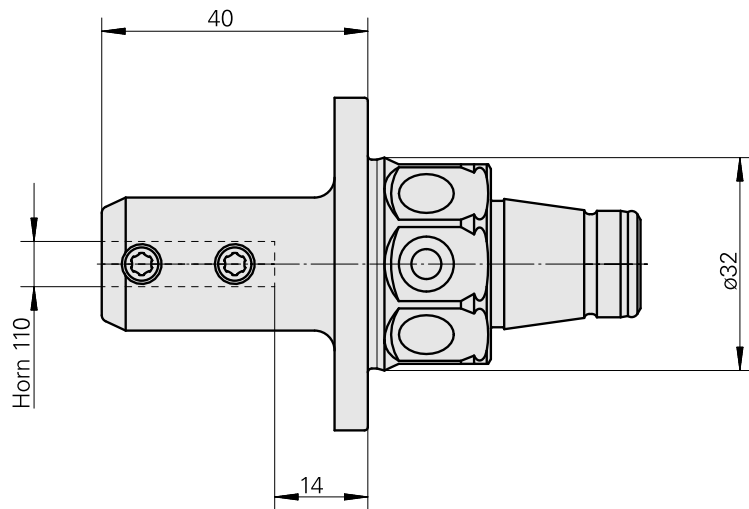
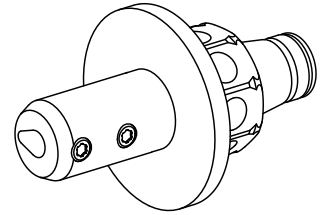
WFB 32-20

Mounting

Horn Type 110

Quick change inserts

Horn S-Mini



Documents

No downloads available for this product