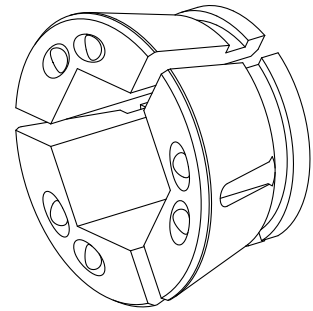


## Clamping head SK65 AF=34,00mm

### Technical data

<b>Clamping device size</b>	SK65
<b>manufacturer product line</b>	SPANNTOP nova chuck
<b>Clamping type</b>	Hexagon grooved
<b>Nominal diameter (mm)</b>	34 Millimeter
<b>Clamping method</b>	External clamping
<b>manufacturer product line</b>	Hainbuch



No 3-side view is currently available for this product

## **Documents**

No downloads available for this product