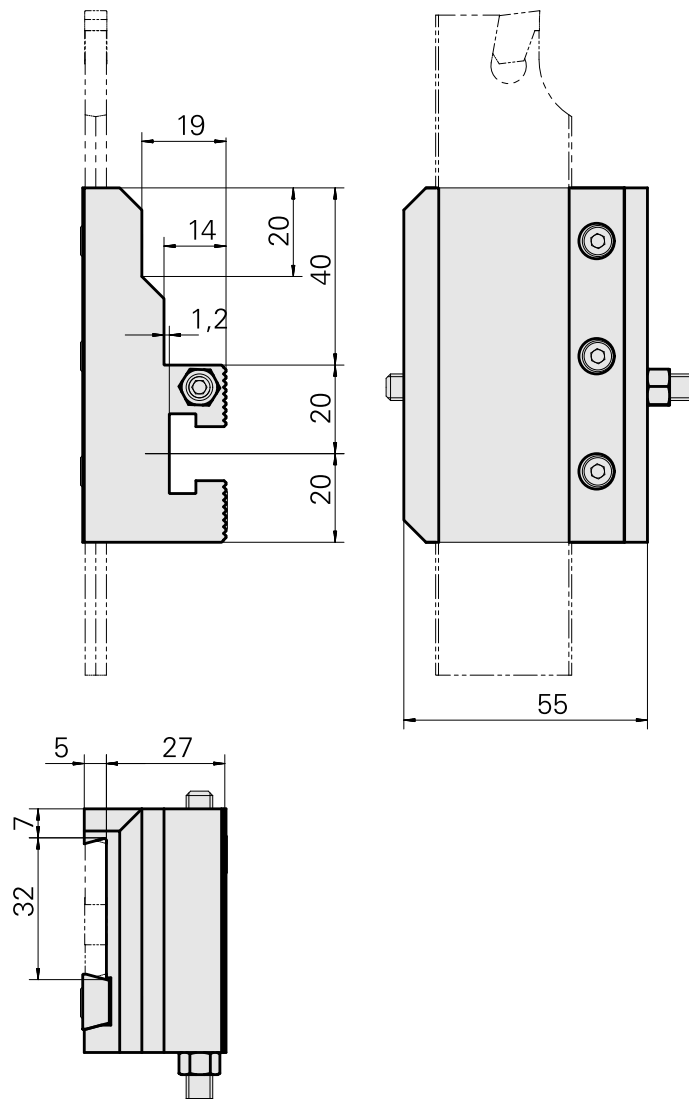
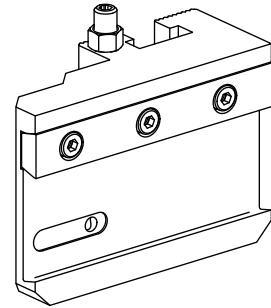


## Grooving tool holding block Trapezoid 32, vertically adjustable

### Technical data

<b>Drive</b>	not live
<b>Cooling</b>	external and internal
<b>Pressure</b>	20 bar
<b>Mounting</b>	Trapezoid 32x5
<b>X [mm]</b>	60 (2.36")
<b>Y [mm]</b>	—
<b>Z [mm]</b>	32 (1.26)
<b>INDEX TRAUB products</b>	C42/65 • G160 • ABC • C100 • C200 • G200 • G200.2 • G220 • ABC.2



## **Documents**

No downloads available for this product