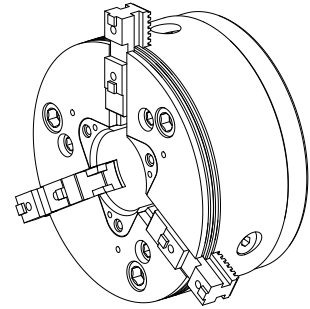


3-jaw chuck

Technical data

INDEX TRAUB products	G220
Spindle clearance	65mm
Machining side	Main spindle • Counter spindle
manufacturer product line	ROTA THW PLUS 215-66 Z170
Spindle mounting	AP170
manufacturer product line	Schunk



No 3-side view is currently available for this product

Documents

No downloads available for this product

Accessories

Required for operation

[Connecting parts](#)

Product ID : 10913746

Previous product ID : 908125.0301

[Flange für ROTA THW plus 215-66](#)

Product ID : 10691374

Previous product ID : 908125.0311
