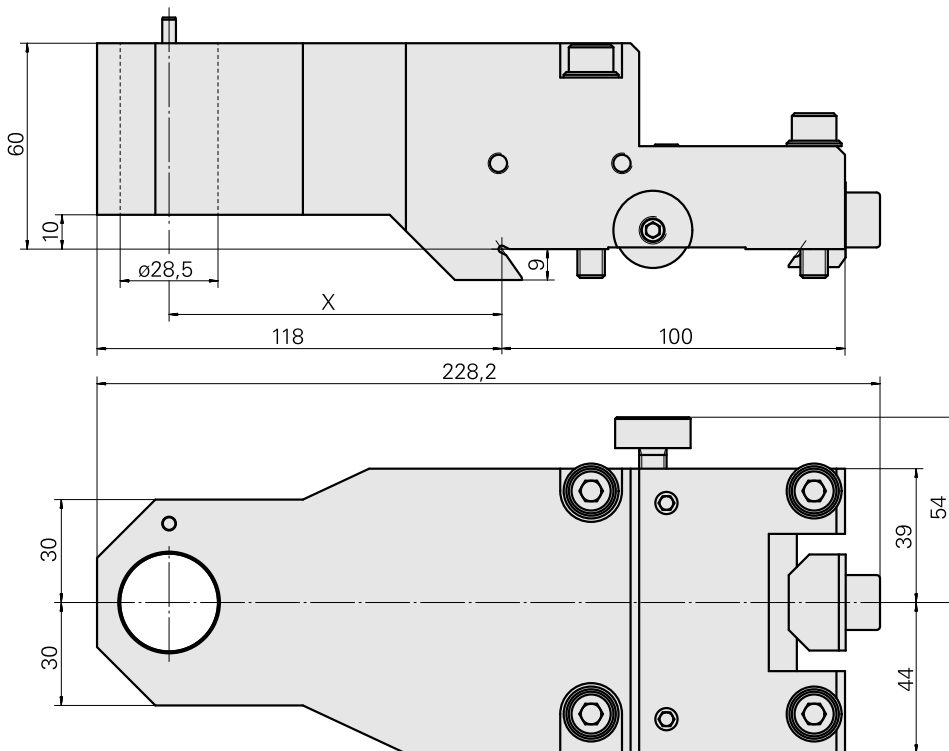
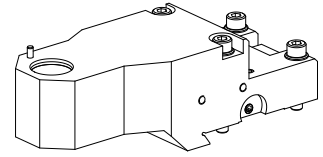


## Basic holder A200 Hydraulic expan. Chuck

### Technical data

|                      |                              |
|----------------------|------------------------------|
| Slide system MS      | A200                         |
| Drive                | not live                     |
| Fixation MS          | Dovetail                     |
| Mounting             | Hydraulic expan. Chuck D28.5 |
| X [mm]               | 97 (3.82")                   |
| Z [mm]               | 10 (0.39)                    |
| INDEX TRAUB products | A200                         |



X 97

---

## Documents

### Product notes

[DE \(pdf\)](#)

[EN \(pdf\)](#)

[FR \(pdf\)](#)

## Accessories

### Optional accessories

#### MS tool holders

##### [Blanking plug](#)

Product ID : 12013851

Previous product ID :

|                   |                                    |             |             |
|-------------------|------------------------------------|-------------|-------------|
| Drive<br>not live | Fixation MS<br>Clamping ring D28.5 | X [mm]<br>- | Y [mm]<br>- |
| Z [mm]<br>-       |                                    |             |             |

##### [Calibrating tool](#)

Product ID : 12088616

Previous product ID :

|                   |   |             |             |
|-------------------|---|-------------|-------------|
| Drive<br>not live | Fixation MS<br>Clamping ring D28.5  | X [mm]<br>- | Y [mm]<br>- |
| Z [mm]<br>-       | INDEX TRAUB products<br>MS24-6 • MS16-6 •<br>MS16-6 Plus • MS22-6<br>• MS22-8 |             |             |

#### Other accessories

##### [Not defined Standard MS22](#)

Product ID : 10132929

Previous product ID : WM3100.3150F

---