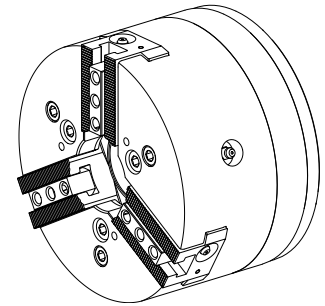


## mandrin à 3 mors

### Technical data

<b>Produits INDEX TRAUB</b>	G200
<b>Passage de broche</b>	46mm
<b>Côté d'usinage</b>	Broche principale • Contre-broche
<b>Fabr. tiers gamme prod.</b>	KFD-HS160-46
<b>Logement de broche</b>	KK 5
<b>Fabr. tiers gamme prod.</b>	Roehm



No 3-side view is currently available for this product

---

## Documents

No downloads available for this product

## Accessories

### Optional accessories

#### Joint

##### [Joint](#)

Product ID : 10633169

Previous product ID : 479105.6702

manufacturer product line Trelleborg	TSS material no.	Cord size 2.5 Millimeter	manufacturer product line O-ring
---	------------------	-----------------------------	-------------------------------------

##### [O-RING 50,47X2,62](#)

Product ID : 10753940

Previous product ID : 479103.0502

manufacturer product line Trelleborg	TSS material no.	Cord size 2.62 Millimeter	manufacturer product line O-ring
---	------------------	------------------------------	-------------------------------------

#### Other accessories

##### [Mors rapportés Id.Nr 046403 \(3x 116735\)](#)

Product ID : 10645157

Previous product ID : 908127.2951

---

##### [Mors rapportés ID-Nr 046404 \(3x 116747\)](#)

Product ID : 10627887

Previous product ID : 908127.2941

---

##### [Adaptateur](#)

Product ID : 10216272

Previous product ID : 908127.8191

---

[Adaptateur](#)

Product ID : 10295337  
Previous product ID : 908127.8181

---

[Piece intermediaire M52x1,5 auf M69x1,5](#)

Product ID : 11042473  
Previous product ID : L31132.

---

[Douille 20014438 U/ZG.NR. 11714](#)

Product ID : 10548744  
Previous product ID : L31221.

---

[O-RING 71.12X 2.62](#)

Product ID : 10954290  
Previous product ID : 479103.0712

---

[Boring fixture Standard-Umfang bis Ø250mm](#)

Product ID : 10362531  
Previous product ID : W9991012

---

[Boring fixture Premium-Umfang bis Ø250mm](#)

Product ID : 10422192  
Previous product ID : W9991013

---