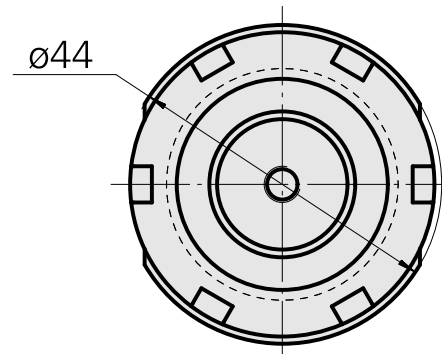
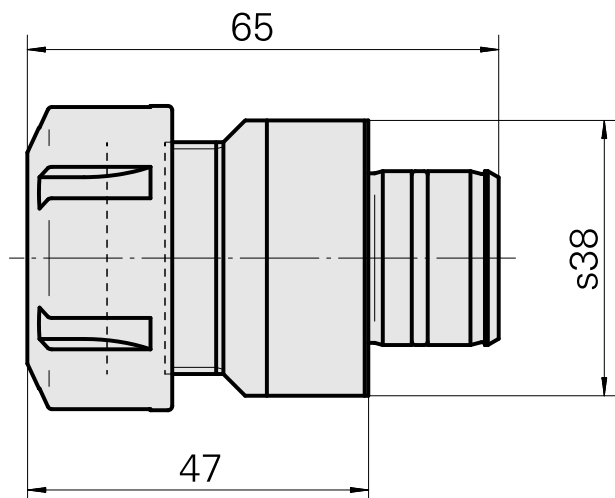
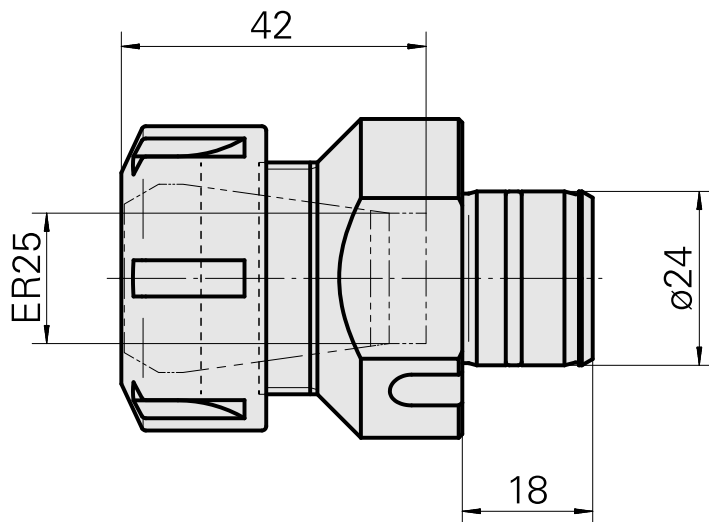


Mount ER25

Technical data

Drive	not live
Cooling	internal
Mounting	ER25
Pressure	80 bar
X [mm]	47 (1.85")
Y [mm]	-
Z [mm]	-
INDEX TRAUB products	ABC65 • TNK42/65 • TNL18 • TNL20 • TNL32-11 • TNL32 • TNL32-11 compact • TNL20-11 • TNL32 compact • TNK40.2-10 • TNK40.2-8 • TNL20.2



Documents

No downloads available for this product

Accessories

Required for operation

[Spanner](#)

Product ID : 10802433

Previous product ID : 490219.0251

TH accessories category Tool	Mounting ER25	Collet type ER 25	Clamping nut type Female thread
Tools for Collet chucks Clamping nut wrench			

Optional accessories

Tool holder accessories

[Clamping nut](#)

Product ID : 10193990

Previous product ID : 901939.0251

TH accessories category Clamping nut	Mounting ER25	Collet type ER 25	Clamping nut type Female thread
---	------------------	----------------------	------------------------------------

Other accessories

[Clamping collet](#)

Product ID : 10206464

Previous product ID : 901930.3---

[tapping tool collet ET-1-25](#)

Product ID : 10191234

Previous product ID : 3224--

[tapping tool collet](#)

Product ID : 10256515
Previous product ID : WZ9990.9507F

[Collet chuck](#)

Product ID : 10029756
Previous product ID : W999067-

[Clamping collet, sealed](#)

Product ID : 10698406
Previous product ID : W999085-
