

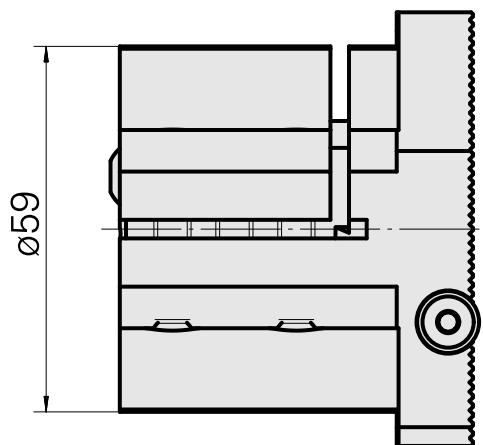
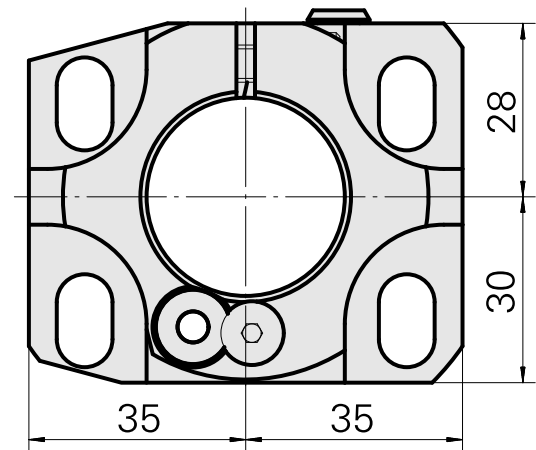
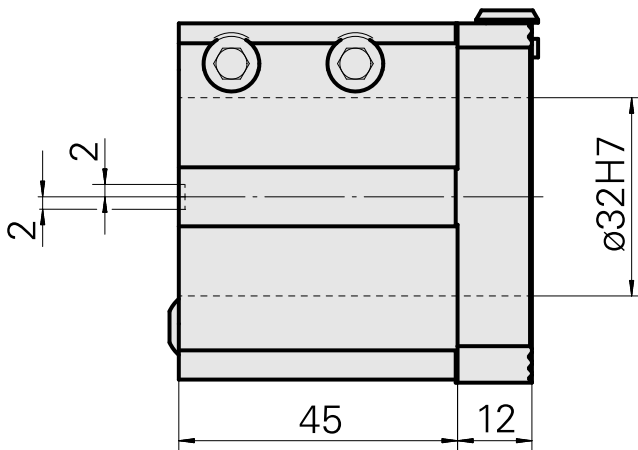
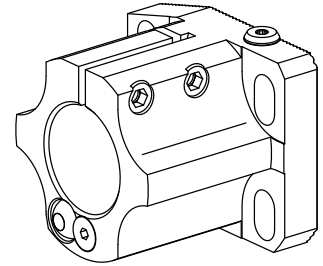
## Drill holding block D32 (1.26 ")

### Technical data

Drive	not live
Pressure	40 bar
Mounting	D32
X [mm]	57 (2.24")
Y [mm]	-
Z [mm]	-

#### INDEX TRAUB products

C42/65 • G160 • G300 • G400 •  
TNX80 • V100 • V200 • A200-6 •  
ABC • C100 • C200 • G200 • G200.2  
• G220 • G250 • TNX65/42 • V160C  
• V160G • V300 • TNA300 • B400  
• B500 • TNA500.2 • TNA400.2  
• ABC.2 • B400.3 • B500.3 •  
TNA400.3 • TNA500.3



## **Documents**

No downloads available for this product

## **Accessories**

Optional accessories

**Other accessories**

[Mounting sleeve D32](#)

Product ID : 10022842

Previous product ID : W63220.02--

---