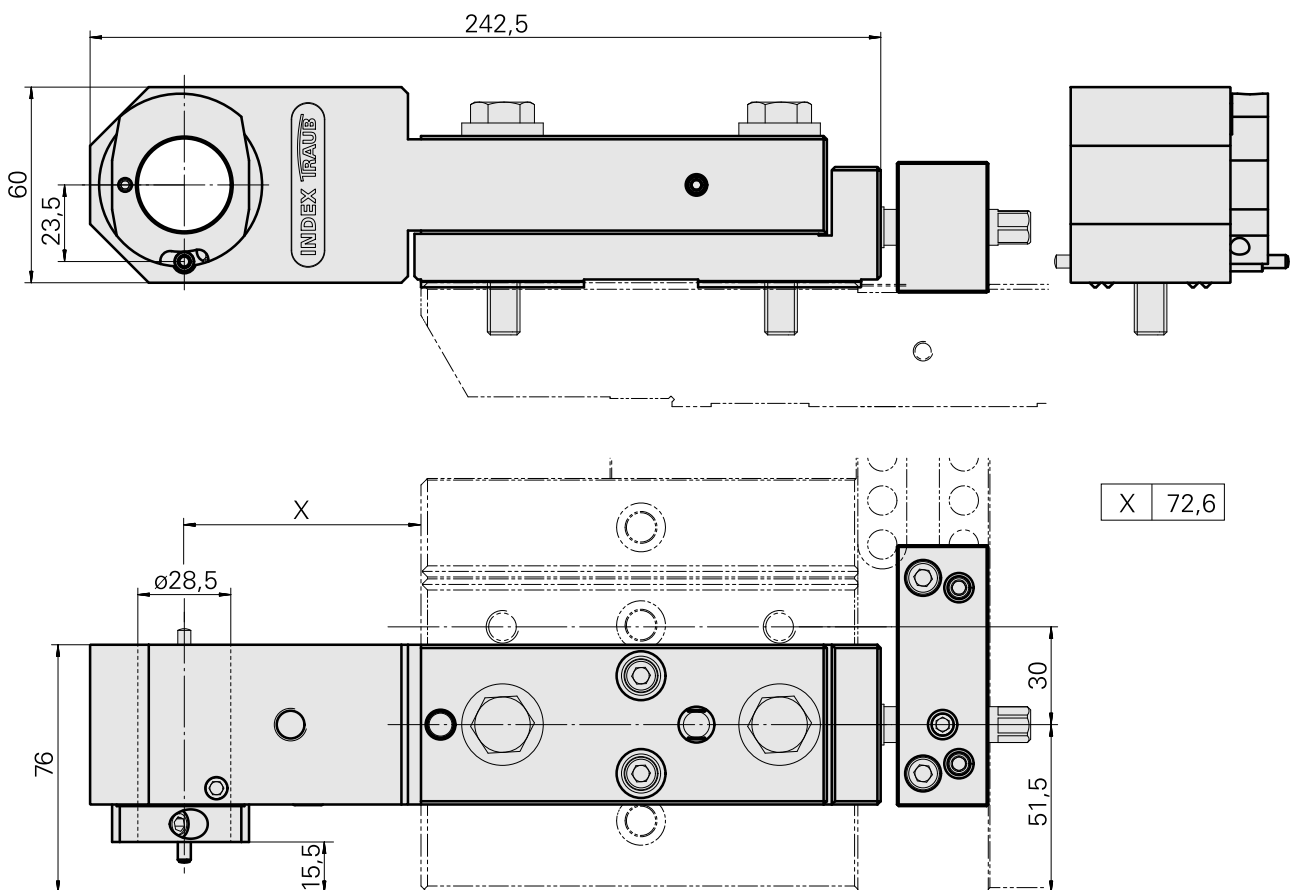
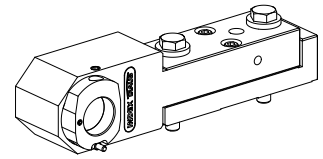


## Basic holder MS16 drilling slide Hydraul

### Technical data

<b>Slide system MS</b>	MS16 drilling slide
<b>Drive</b>	not live
<b>Fixation MS</b>	W serration
<b>Mounting</b>	Hydraulic expan. Chuck D28.5
<b>X [mm]</b>	72.5 (2.85")
<b>Y [mm]</b>	-
<b>Z [mm]</b>	-
<b>INDEX TRAUB products</b>	MS16-6 • MS16-6 Plus



## Documents

### Product notes

[FR \(pdf\)](#)

[DE \(pdf\)](#)

[EN \(pdf\)](#)

[DE \(pdf\)](#)

[EN \(pdf\)](#)

[FR \(pdf\)](#)

## Accessories

### Optional accessories

#### MS tool holders

##### [Blanking plug](#)

Product ID : 12013851

Previous product ID :

Drive not live	Fixation MS Clamping ring D28.5	X [mm] -	Y [mm] -
Z [mm] -			

##### [Calibrating tool](#)

Product ID : 12088616

Previous product ID :

Drive not live	Fixation MS Clamping ring D28.5	X [mm] -	Y [mm] -
Z [mm] -	INDEX TRAUB products MS24-6 • MS16-6 • MS16-6 Plus • MS22-6 • MS22-8		

#### Other accessories

10156937  
W5150004

**INDEX**

---

Stop

Product ID : 10685423  
Previous product ID : W9991106

---

Not defined Standard MS22

Product ID : 10132929  
Previous product ID : WM3100.3150F

---