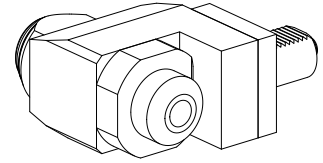


## Drilling unit VDI 40 1:1 DIN 1835 B/E D2

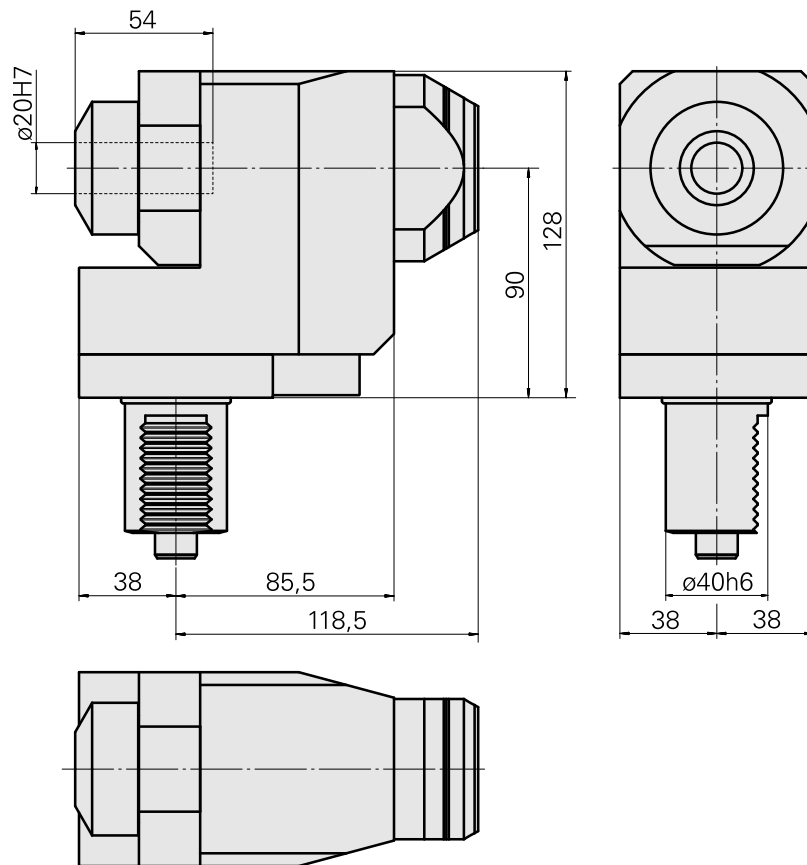
### Technical data

<b>Shank VDI</b>	VDI 40
<b>Drive</b>	Spline shaft B17x14
<b>Fixation VDI</b>	Aligning system
<b>Speed ratio</b>	1:1
<b>Cooling</b>	external and internal
<b>Pressure</b>	40 bar
<b>Mounting</b>	DIN 1835 B/E D20
<b>reversible 180°</b>	no
<b>Direction</b>	same as drive direction
<b>X [mm]</b>	90 (3.54")
<b>Y [mm]</b>	–
<b>Z [mm]</b>	39 (1.54)
<b>INDEX TRAUB products</b>	TNA400



### Note

No dry-run permitted!



## **Documents**

No downloads available for this product

## **Accessories**

Optional accessories

### **Other accessories**

[Mounting sleeve with collar D20](#)

Product ID : 10063939

Previous product ID : W68510.04--

---