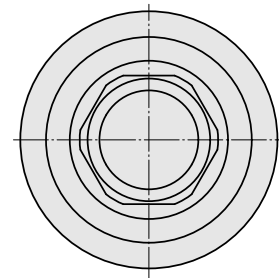
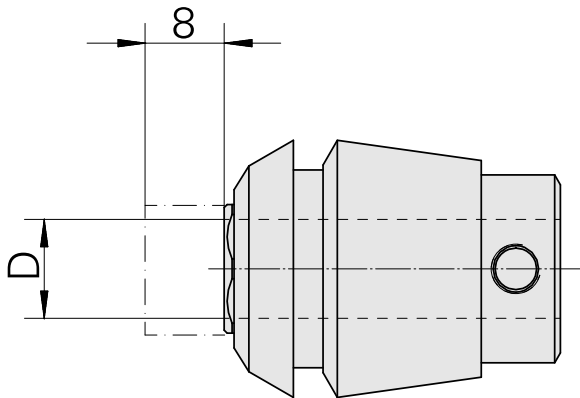
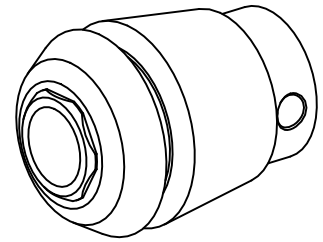


ER-Collet chuck for taps ET 1-25 9mm

Technical data

TH accessories category	ER-Collet chuck for taps
Mounting	ER25
Tool mounting	9mm
Collet type	ET 1-25



10050464
322466

INDEX

Documents

No downloads available for this product