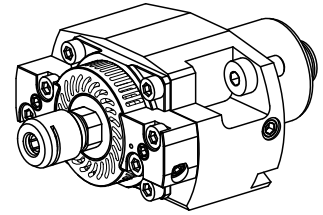


Fluidspindel Schaft 25 ER8, bis 56.000 1/min

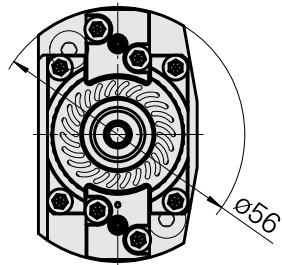
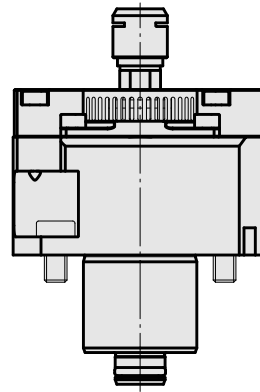
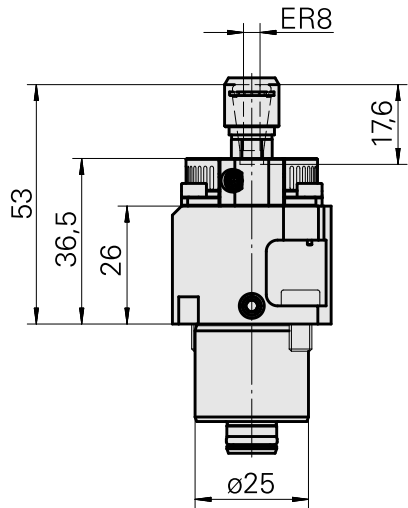
Technical data

Shank KPS	Shank 25
Drive	Fluid
Cooling	external
Mounting	ER8
Pressure	45 bar
X [mm]	53 (2.09")
Y [mm]	–
Z [mm]	–
INDEX TRAUB products	TNL32-11 compact • TNL32 compact • TNL20.2 • TNL20-11 • TNL20 • TNK40.2-10 • TNK40.2



Note

The maximum permitted pressure is 45 bar! The stated speeds are reference values. The actual speed depends on the flow rate and the pressure at the transfer position, and on the type of the cooling lubricant! During machining, the speed must not fall more than 10% below the idle speed. If this limit is exceeded, the load limit is surpassed, and the fluid spindle must not continue to operate. Failure to comply may result in short-term spindle failures.



15 bar / 12 L/min / 30.000 1/min
20 bar / 14 L/min / 36.000 1/min
25 bar / 16 L/min / 38.000 1/min
35 bar / 18 L/min / 46.000 1/min
45 bar / 20 L/min / 56.000 1/min

Documents

No downloads available for this product

Accessories

Optional accessories

O-Rings

[Gasket ring OR 7,65X1,78](#)

Product ID : 10451119

Previous product ID : 319322

manufacturer product line Trelleborg	TSS material no.	Cord size 1.78 Millimeter	manufacturer product line O-ring
---	------------------	------------------------------	-------------------------------------

Tool holder accessories

[Clamping nut](#)

Product ID : 10490215

Previous product ID : 323117

TH accessories category Clamping nut	Mounting ER8	Collet type ER 8	Clamping nut type Female thread diameter reduced
---	-----------------	---------------------	---

[Spanner](#)

Product ID : 11077222

Previous product ID : 323118

TH accessories category Tool	Mounting ER8	Collet type ER 8	Clamping nut type Female thread diameter reduced
Tools for Collet chucks Clamping nut wrench			

Other accessories

[Clamping collet](#)

Product ID : 10719579

Previous product ID : 901930.8---

Sensor

Product ID : 12225202

Previous product ID :
