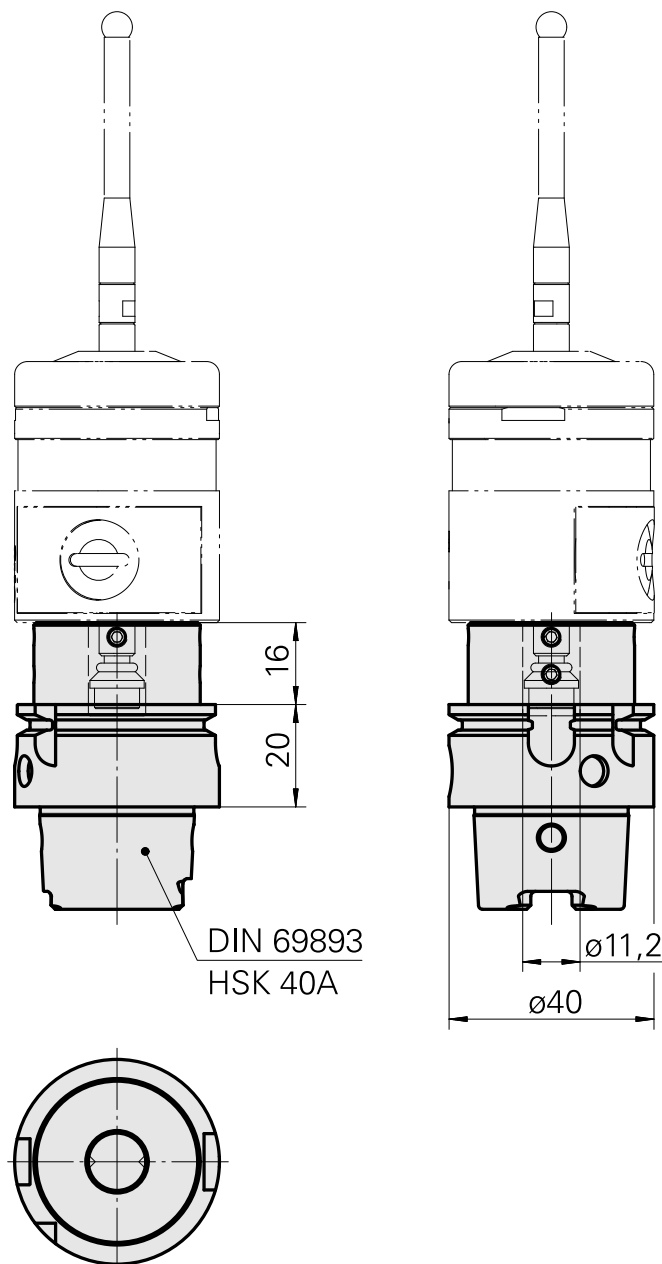
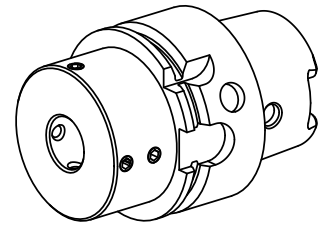


Messtasterhalter HSK 40 A Renishaw D11,2

Technical data

Schaft HSK	HSK 40
Form HSK	A
Aufnahme	Renishaw D11,2
X [mm]	36
Z [mm]	—



Documents

No downloads available for this product

Accessories

Required for operation

[Messtaster Fa. Renishaw](#)

Product ID : 12133465

Previous product ID :

[Tasteinsätze Fa. Renishaw.](#)

Product ID : 12133466

Previous product ID :

Optional accessories

Tool holder accessories

[Coolant adapter kit](#)

Product ID : 10581780

Previous product ID : WS7400.0020

TH accessories
category
Cooling lubricant
transfer set

Mounting
HSK 40 A/C

[Socket wrench](#)

Product ID : 10532354

Previous product ID : WS7400.0010

TH accessories
category
Tool for KSS adapter

Mounting
HSK 40 A/C

Other accessories

Probe

Product ID : 10338967

Previous product ID : 487542.1441

Case A-2033-7001

Product ID : 10259626

Previous product ID : 487542.0911
