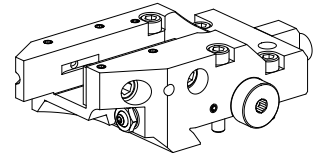


Turning tool holder MS16/MS22 Square 20x

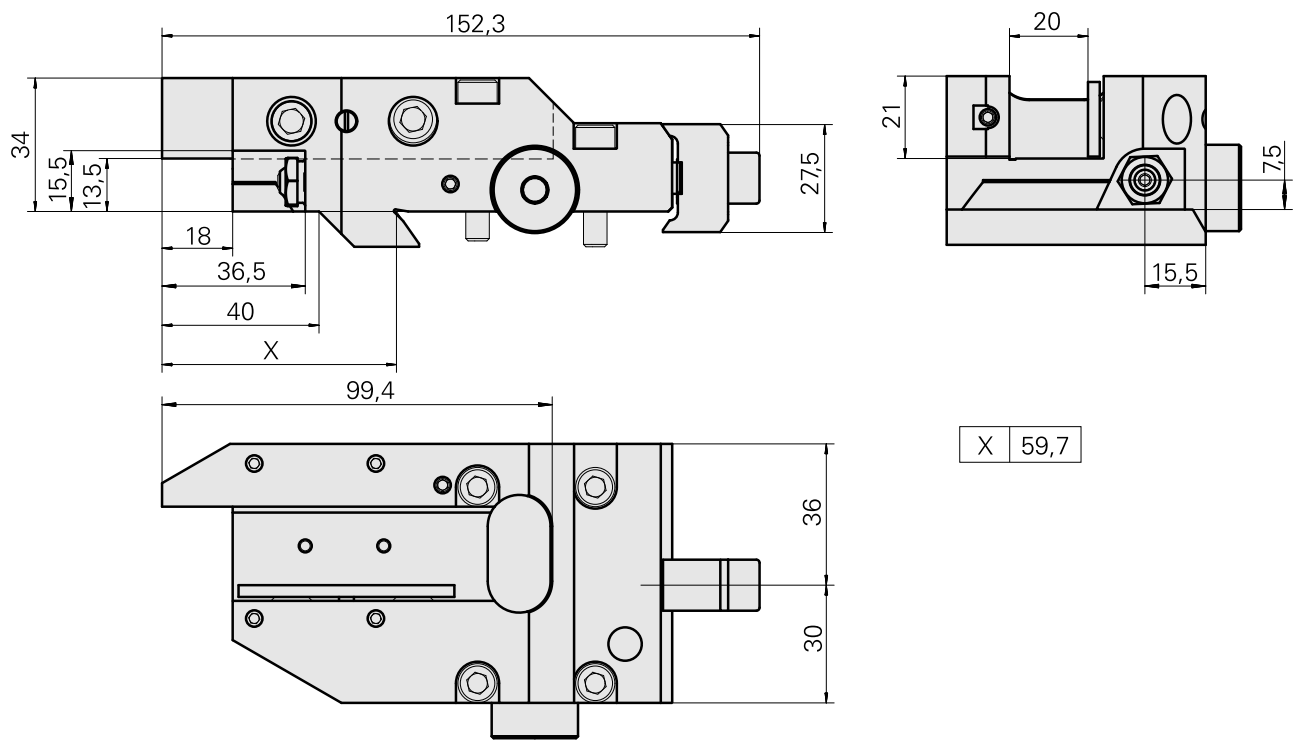
Technical data

Slide system MS	MS16/MS22
Drive	not live
Fixation MS	Dovetail
Cooling	external and internal
Pressure	80 bar
Direction	right-handed run
Mounting	Square 20x20
X [mm]	60 (2.36")
Y [mm]	–
Z [mm]	13.5 (0.53)
INDEX TRAUB products	A100 • MS22-6 • MS22-8 • MS24-6 • MS24-8



Note

Stop plate is not included!



Documents

No downloads available for this product

Accessories

Optional accessories

Other accessories

[Stop plate](#)

Product ID : 12124016

Previous product ID :

[Plate](#)

Product ID : 10367559

Previous product ID : W00016.0123

[Ball nozzle D8xM5](#)

Product ID : 10392450

Previous product ID : W02019.0002

[Hollow screw M12x1](#)

Product ID : 10757766

Previous product ID : W02013.0001

[Socket head screw](#)

Product ID : 10271192

Previous product ID : 410270.0512

[Grub screw M 4x6](#)

Product ID : 10238758

Previous product ID : 410158.0406
