

Presetting device/Drillholdingblock D24

Technical data

TH accessories category

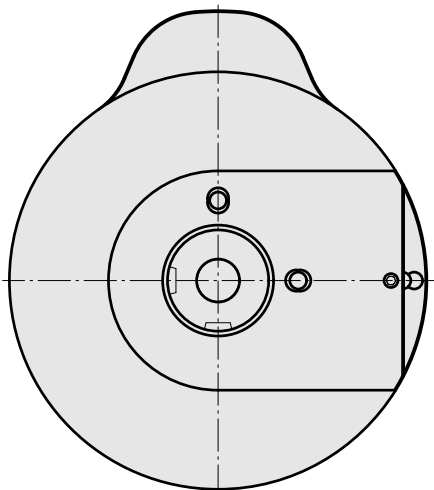
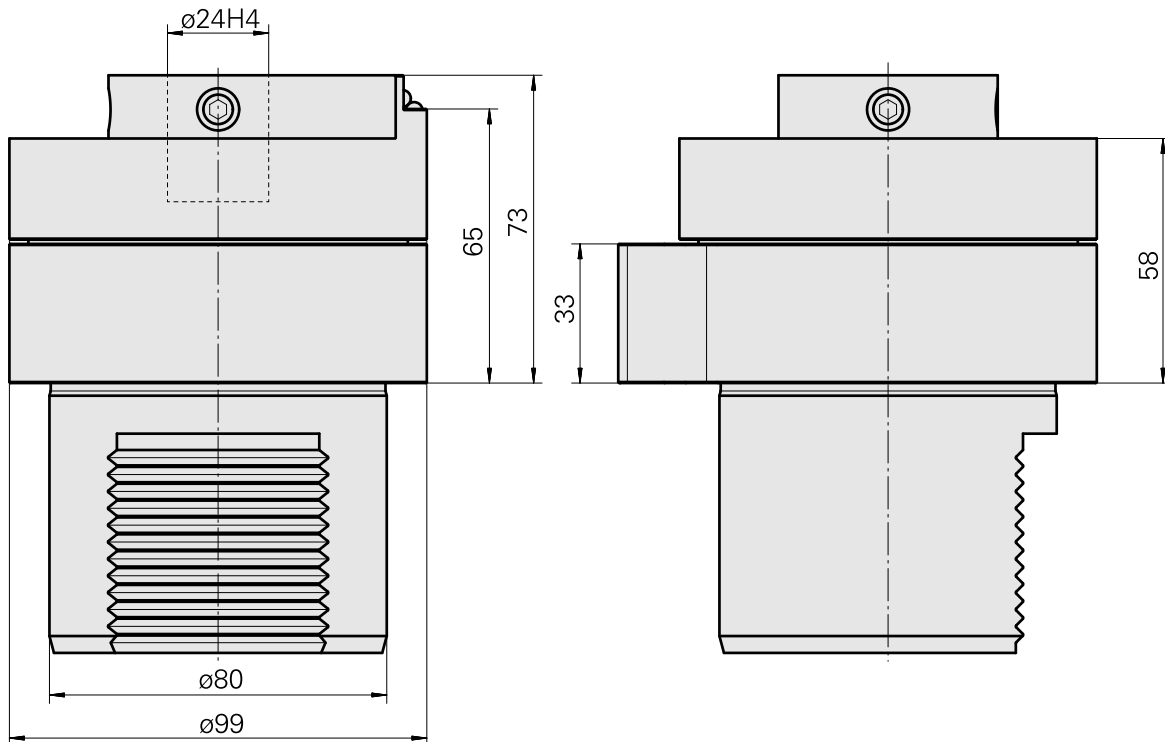
Adapter for presetting units

Mounting

D80 for presetting devices

Tool mounting

Drill holding block D24mm



Documents

No downloads available for this product