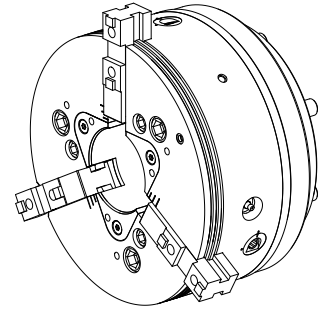


3-Backenfutter Rota THW Plus 260-81-A8

Technical data

INDEX TRAUB products	G300.2 • G320.2 • G320.3 compact
Spindle clearance	102mm
Machining side	Main spindle • Counter spindle
manufacturer product line	ROTA THW PLUS 260-81 Z220
Spindle mounting	KK 8
Clamping device size	260
manufacturer product line	Schunk



No 3-side view is currently available for this product

Documents

No downloads available for this product