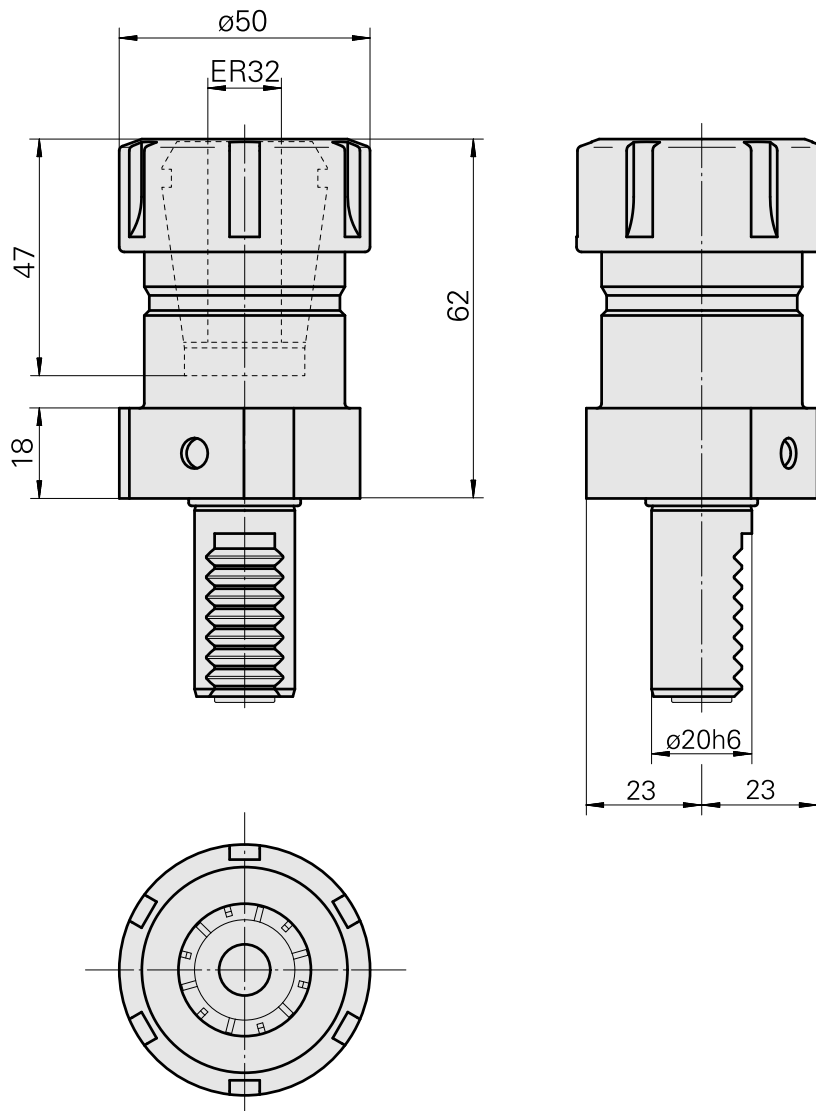
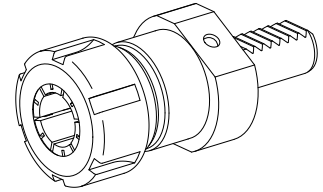


Drilling tool holder VDI 20 ER32, Form E4

Technical data

Shank VDI	VDI 20
Drive	not live
Fixation VDI	none
Cooling	internal
Mounting	ER32
X [mm]	62 (2.44")
Y [mm]	-
Z [mm]	-



Documents

No downloads available for this product

Accessories

Optional accessories

Other accessories

[Clamping collet](#)

Product ID : 10187712

Previous product ID : 901930.6---

[tapping tool collet ET-1-32](#)

Product ID : 10640099

Previous product ID : 3242--

[tapping tool collet](#)

Product ID : 10601144

Previous product ID : WZ9990.9509F

[Collet chuck](#)

Product ID : 10659178

Previous product ID : W999068-
