

## Housing

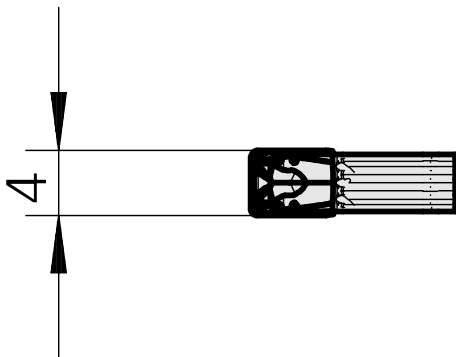
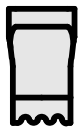
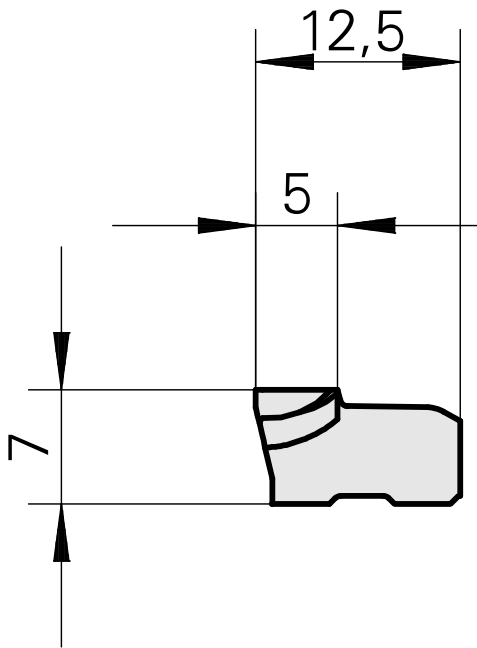
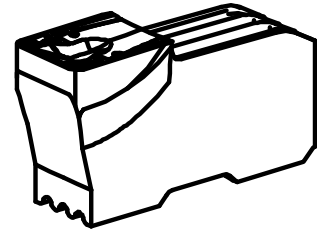
### Technical data

TH accessories category

Cutting tools

Mounting

Löcher System



## **Documents**

No downloads available for this product