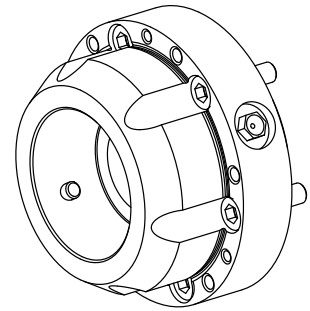


Placa

Technical data

Produtos INDEX TRAUB	MS16-6
Passagem do fuso	16mm
Lado de usinagem	Fuso síncrono
Fabricante ext.caract.produto	Kombi Axfix
Lin. prod. de outr. fabricant.	Mandril SPANNTOP nova
Alojamento do fuso	AP63
Dimensão disp. fixação	SK16
Lin. prod. de outr. fabricant.	Hainbuch



No 3-side view is currently available for this product

Documents

No downloads available for this product

Accessories

Optional accessories

Spindle liners

[Socket head screw](#)

Product ID : 10157066

Previous product ID : 410260.0620

Other accessories

[Fixture](#)

Product ID : 10455955

Previous product ID : 900416.8151

Clamping device size SK16	manufacturer product line SPANNTOP nova chuck	Clamping method External clamping	manufacturer product line Hainbuch
------------------------------	-----------------------------------------------------	--------------------------------------	------------------------------------------

[HAINBUCH GREASE 2085/0003](#)

Product ID : 10825733

Previous product ID : 373241.1021

manufacturer product line SPANNTOP nova chuck • SPANNTOP mini chuck • TOPlus chuck • TOPlus chuck mini • TOPlus chuck with end-stop	Clamping method External clamping	manufacturer product line Hainbuch
----------------------------------------------------------------------------------------------------------------------------------------------------------	--------------------------------------	------------------------------------------

Other accessories

[Cabecote de sujeicao sk16bzigr5,0](#)

Product ID : 10875232

Previous product ID : 900416.G050

[Cabecote de sujeicao sk16bzigr6,0](#)

Product ID : 10252855
Previous product ID : 900416.G060

[Cabecote de sujeicao sk16bzigr7,0](#)

Product ID : 10469874
Previous product ID : 900416.G070

[Cabecote de sujeicao sk16bzigr8,0](#)

Product ID : 10841849
Previous product ID : 900416.G080

[Cabecote de sujeicao sk16bzigr9,0](#)

Product ID : 10984109
Previous product ID : 900416.G090

[Cabecote de sujeicao sk16bzigr10,0](#)

Product ID : 10051491
Previous product ID : 900416.G100

[Cabecote de sujeicao sk16bzigr11,0](#)

Product ID : 10776704
Previous product ID : 900416.G110

[Cabecote de sujeicao sk16bzigr12,0](#)

Product ID : 10033777
Previous product ID : 900416.G120

[Cabecote de sujeicao sk16bzigr13,0](#)

Product ID : 10080922
Previous product ID : 900416.G130

[Cabecote de sujeicao sk16bzigr14,0](#)

Product ID : 10952679

Previous product ID : 900416.G140

[Cabecote de sujeicao sk16bzigr15,0](#)

Product ID : 10199552

Previous product ID : 900416.G150

[Cabecote de sujeicao sk16bzigr16,0](#)

Product ID : 10935656

Previous product ID : 900416.G160
