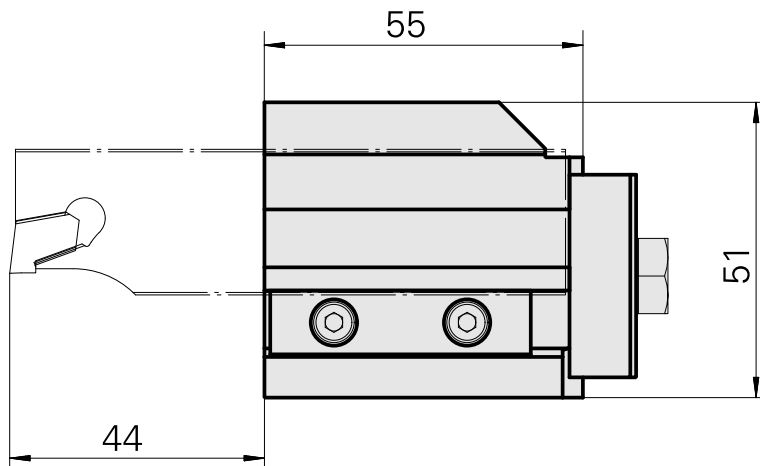
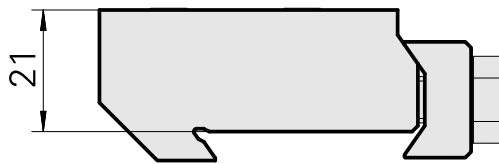
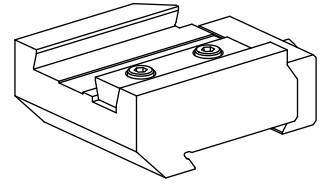


## Grooving tool holding block 26x4

### Technical data

|                             |                      |
|-----------------------------|----------------------|
| <b>Drive</b>                | not live             |
| <b>Direction</b>            | right-handed run     |
| <b>Mounting</b>             | Trapezoid 26x4       |
| <b>X [mm]</b>               | 55 (2.17")           |
| <b>Y [mm]</b>               | -                    |
| <b>Z [mm]</b>               | 21 (0.83)            |
| <b>INDEX TRAUB products</b> | MS16-6 • MS16-6 Plus |



## **Documents**

No downloads available for this product