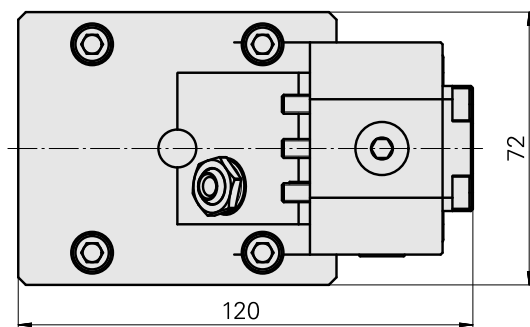
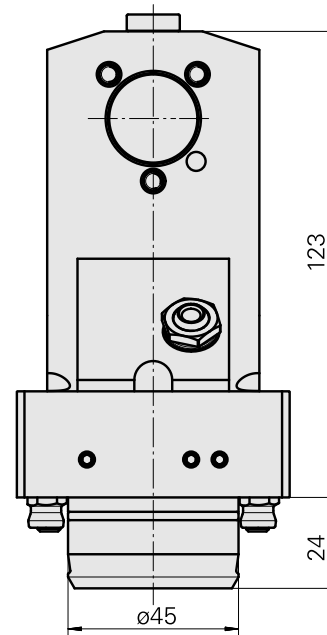
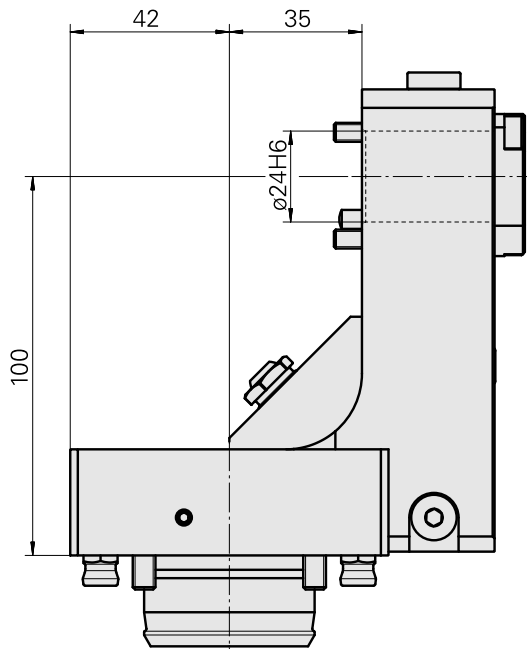
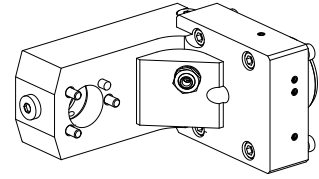


Basic holder KPS 45 D24 (0.94 ")

Technical data

| | |
|----------------------|-----------------------|
| Shank KPS | KPS 45 |
| Drive | not live |
| Cooling | external and internal |
| Mounting | D24 |
| Pressure | 120 bar |
| X [mm] | 100 (3.94") |
| Y [mm] | - |
| Z [mm] | -35 (1.38) |
| INDEX TRAUB products | TNL32 • TNL32-11 |



Documents

No downloads available for this product

Accessories

Optional accessories

Other accessories

[Coolant Nozzle](#)

Product ID : 11031912

Previous product ID : W67500.3208

[HOLLOW SCREW M14x1 M14x1](#)

Product ID : 10105238

Previous product ID : W67530.0818

[BUSHING 10 D x 6 D x 12,5](#)

Product ID : 10670360

Previous product ID : W67530.0824
