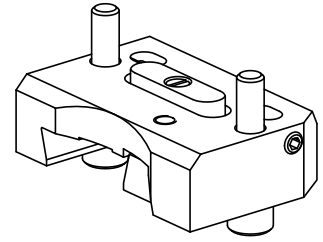


Grooving tool holding block Trapezoid 26

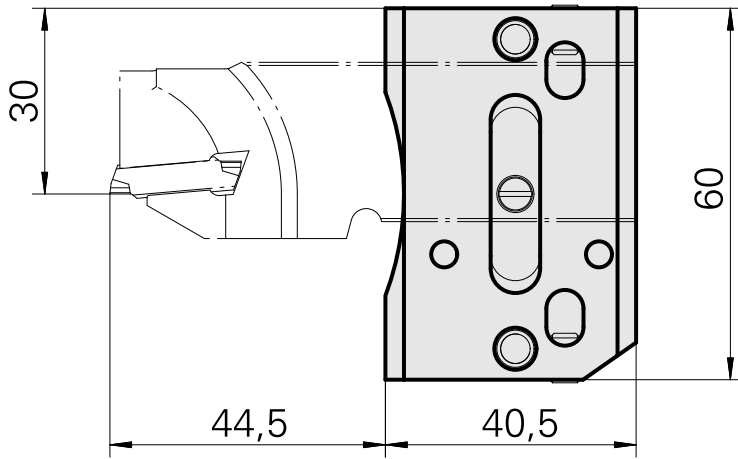
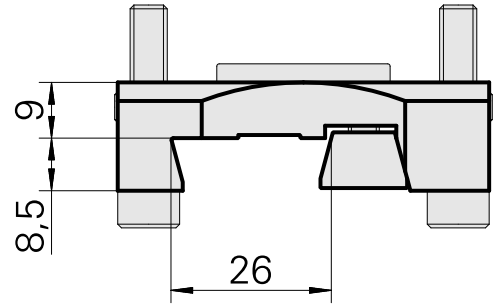
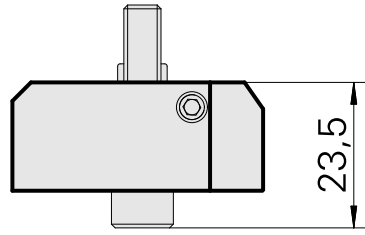
Technical data

Drive	not live
Direction	right-handed run
Mounting	Trapezoid 26x8
X [mm]	40.5 (1.59")
Y [mm]	–
Z [mm]	9 (0.35)
INDEX TRAUB products	MS16-6 • MS16-6 Plus



Note

Specially for left cutoff blades!



Documents

No downloads available for this product

Accessories

Optional accessories

Other accessories

[Clamping plate](#)

Product ID : 10575292

Previous product ID : W9990977
